

greenworks

proTM

EN

EDGER

OPERATOR MANUAL

FR

COUPE-BORDURES

MANUEL D'OPÉRATEUR

ES

BORDEADORA

MANUAL DEL OPERADOR



STB411

www.greenworktools.com

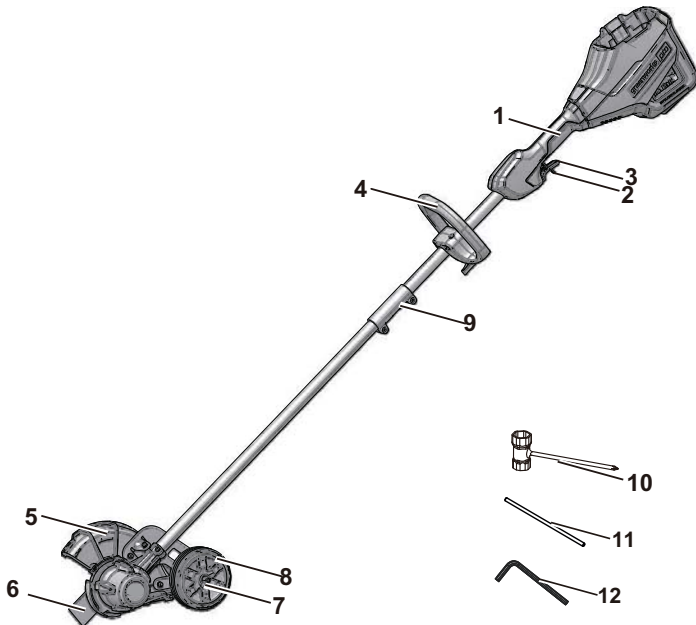
1	Description.....	4	9.1	Start the machine.....	8
1.1	Purpose.....	4	9.2	Stop the machine.....	8
1.2	Overview.....	4	9.3	Adjust the depth of cut.....	8
1.3	Packing list.....	4	9.4	Replace the blade.....	9
2	Important safety instructions.....	4	9.5	Operation tips.....	9
3	Symbols on the machine.....	5	10	Maintenance.....	10
4	Risk levels.....	6	10.1	General information.....	10
5	Service.....	6	10.2	Clean the machine.....	10
6	Environmentally safe battery disposal.....	6	10.3	Replace the skid plate.....	10
7	Proposition 65.....	6	10.4	Replace the wheel.....	10
8	Installation.....	7	11	Transportation and storage.....	11
8.1	Unpack the machine.....	7	11.1	Move the machine.....	11
8.2	Attach the auxiliary handle.....	7	11.2	Store the machine.....	11
8.3	Assemble the shaft.....	7	12	Troubleshooting.....	11
8.4	Install the battery pack.....	7	13	Technical data.....	11
8.5	Remove the battery pack.....	8	14	Limited warranty.....	11
9	Operation.....	8	15	Replacement parts.....	12

1 DESCRIPTION

1.1 PURPOSE

This edger is used to trim and cut around the edge of driveways, side walks and more. The edger is not meant to be used to cut hedges, shrubs, bushes, or flowers.

1.2 OVERVIEW



- | | |
|----|-----------------------|
| 1 | Rear handle |
| 2 | Lock-out lever |
| 3 | Trigger |
| 4 | Auxiliary handle |
| 5 | Guard |
| 6 | Blade |
| 7 | Depth adjustment knob |
| 8 | Wheel |
| 9 | Coupler |
| 10 | Wrench |
| 11 | Metal rod |
| 12 | Allen key |

1.3 PACKING LIST

- | | | | |
|---|------------------|---|-----------------|
| 1 | Edger | 4 | Wrench |
| 2 | Auxiliary handle | 5 | Allen key |
| 3 | Metal Rod | 6 | Operator manual |

2 IMPORTANT SAFETY INSTRUCTIONS

READ ALL INSTRUCTIONS BEFORE USING (THIS POWER TOOL)

⚠ WARNING

Read and understand all instructions before using this product. Failure to follow all instructions listed below may result in electric shock, fire, and/or serious personal injury.

- Use only identical manufacturer's replacement parts and accessories. Use of any other parts may create a hazard or cause product damage.
- Always wear safety glasses with side shields marked to comply with ANSI Z87.1. Everyday glasses have only impact resistant lenses. They are NOT safety glasses. Following this rule will reduce the risk of eye injury. Use face mask if operating in dusty work spaces.
- Avoid Dangerous Environment – Don't expose power tools to damp or wet conditions. Water entering a power tool will increase the risk of electric shock.
- Don't use in rain.
- Keep all bystanders, children, and pets at least 50 ft. away.
- Dress Properly – Do not wear loose clothing or jewelry. They can be caught in moving parts. Use of rubber gloves and substantial footwear is recommended when working outdoors. Wear protective hair covering to contain long hair.
- Use right Appliance. Do not use appliance for any job except that for which it is intended.
- Avoid Unintentional Starting – Don't carry appliance with finger on switch. Be sure switch is off when battery plugging in.
- Don't Force Appliance – It will do the job better and with less likelihood of a risk of injury at the rate for which it was designed.
- Don't overreach – Keep proper footing and balance at all times.
- Stay alert – Watch what you are doing. Use common sense. Do not operate this unit when you are tired, ill or under the influence of alcohol, drugs or medication.
- Always store idle power tools indoors – When not in use, power tools should be stored indoors in a dry and high or locked-up place, out of reach of children.
- Maintain Appliance With Care – Replace string head if cracked, chipped, or damaged in any way. Be sure the string head is properly installed and securely fastened. Keep cutting edge sharp and clean for best performance and to reduce the risk of injury. Follow instructions for lubricating and changing accessories. Inspect appliance cord periodically, and if damaged, have it repaired by an authorized service facility. Inspect extension cords periodically and replace if damaged. Keep handles dry, clean, and free from oil and grease. Failure to do so can cause serious injury.
- Check damaged parts before using the appliance, a guard or other part that is damaged should be carefully checked to determine that it will operate properly and perform its intended function. Check for alignment of moving parts, binding of moving parts, breakage of parts, damaged mountings, and any other condition that may affect its

operation. A guard or other part that is damaged should be properly repaired or replaced by an authorized service center unless indicated elsewhere in this manual.

- Do not charge appliance in rain, or in wet locations.
- Remove or disconnect battery before servicing, cleaning or removing material from the gardening appliance.
- Use appliances only with specifically designated battery packs. Use of any other battery packs may create a risk of injury and fire.
- Recharge only with the charger specified by the manufacturer. A charger that is suitable for one type of battery pack may create a risk of fire when used with another battery pack.
- Use only with Greenworks BAB727 battery or other BAB series.
- Use only with Greenworks 2901402 charger or other CAB series.
- When battery pack is not in use, keep it away from other metal objects, like paper clips, coins, keys, nails, screws or other small metal objects, that can make a connection from one terminal to another. Shorting the battery terminals together may cause a fire.
- Under abusive conditions, liquid may be ejected from the battery; avoid contact. If contact accidentally occurs, flush with water. If liquid contacts eyes, additionally seek medical help. Liquid ejected from the battery may cause irritation or burns.
- Do not use a battery pack or appliance that is damaged or modified. Damaged or modified batteries may exhibit unpredictable behavior resulting in fire, explosion or risk of injury.
- Do not expose a battery pack or appliance to fire or excessive temperature. Exposure to fire or temperature above 265 °F (130 °C) may cause an explosion.
- Do not dispose of the batteries in a fire. The cells may explode. Check with local codes for possible special disposal instructions.
- Do not open or mutilate the batteries. Released electrolyte is corrosive and may cause damage to the eyes or skin. It may be toxic if swallowed.
- Exercise care in handling batteries in order not to short the battery with conducting materials such as rings, bracelets, and keys. The battery or conductor may overheat and cause burns.
- Follow all charging instructions and do not charge the battery pack or appliance outside of the temperature range specified in the instructions. Charging improperly or at temperatures outside of the specified range may damage the battery and increase the risk of fire.
- Disconnect the battery pack from the appliance before making any adjustments, changing accessories, or storing appliance. Such preventive safety measures reduce the risk of starting the appliance accidentally.
- Have servicing performed by a qualified repair person using only identical replacement parts. This will ensure that the safety of the product is maintained.
- Keep guards in place and in working order.

- Keep hands and feet away from cutting area.
- Keep blades sharp.







The recommended ambient temperature range:



Item	Temperature
Edger storage temperature range	32°F (0°C) - 113°F (45°C)
Edger operation temperature range	32°F (0°C) - 113°F (45°C)
Battery charging temperature range	39°F (4°C) - 104°F (40°C)
Charger operation temperature range	39°F (4°C) - 104°F (40°C)
Battery storage temperature range	32°F (0°C) - 113°F (45°C)
Battery discharging temperature range	32°F (0°C) - 113°F (45°C)

SAVE THESE INSTRUCTIONS

3 SYMBOLS ON THE MACHINE




Some of the following symbols can be used on this machine. Please study them and learn their definition. Proper interpretation of these symbols will let you operate the tool better and safer.

Symbol	Explanation
V	Voltage
A	Current
Hz	Frequency (cycles per second)
W	Power
min	Time
/min	Revolutions, strokes, surface speed, orbits etc., per minute
	Direct current
	Precautions that involve your safety.
	Read and understand all instructions before you operate the machine, and follow all warnings and safety instructions.
	Always wear safety glasses with side shields marked to comply with ANSI Z87.1 when you operate this machine.
	Do not expose the machine to rain or moist conditions.
	Keep all bystanders at least 15m away.

Symbol	Explanation
	Thrown objects can ricochet and result in personal injury or property damage.
	Danger - Keep hands and feet away from blade.

4 RISK LEVELS

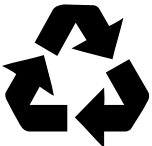
The following signal words and meanings are intended to explain the levels of risk associated with this product.

SYM-BOL	SIGNAL	MEANING
	DANGER	Indicates an imminently hazardous situation, which, if not avoided, will result in death or serious injury.
	WARNING	Indicates a potentially hazardous situation, which, if not avoided, could result in death or serious injury.
	CAUTION	Indicates a potentially hazardous situation, which, if not avoided, may result in minor or moderate injury.
	CAUTION	(Without Safety Alert Symbol) Indicates a situation that may result in property damage.

5 SERVICE

Servicing requires extreme care and knowledge and must be performed only by a qualified service technician. For service we suggest you return the machine to your nearest AUTHORIZED SERVICE CENTER for repair. Use only identical manufacturer's replacement parts and accessories.

6 ENVIRONMENTALLY SAFE BATTERY DISPOSAL



The toxic and corrosive materials below are in the batteries used in this machine: **Lithium-Ion, a toxic material.**

▲ WARNING

Discard all toxic materials in a specified manner to prevent contamination of the environment. Before discarding damaged or worn out Li-ion battery, contact your local waste disposal agency, or the local Environmental Protection Agency for information and specific instructions. Take the batteries to a local recycling and/or disposal center, certified for lithium-ion disposal.

▲ WARNING

If the battery pack cracks or breaks, with or without leaks, do not recharge it and do not use. Discard it and replace with a new battery pack. **DO NOT TRY TO REPAIR IT!** To prevent injury and risk of fire, explosion, or electric shock, and to avoid damage to the environment:

- Cover the terminals of the battery with heavy-duty adhesive tape.
- **DO NOT** try to remove or destroy any of the battery pack components.
- **DO NOT** try to open the battery pack.
- If a leak develops, the released electrolytes are corrosive and toxic. **DO NOT** get the solution in the eyes or on skin, and do not swallow it.
- **DO NOT** put these batteries in your regular household trash.
- **DO NOT** incinerate.
- **DO NOT** put them where they will become part of any waste landfill or municipal solid waste stream.
- Take them to a certified recycling or disposal center.

7 PROPOSITION 65

▲ WARNING

This product contains a chemical known to the state of California to cause cancer, birth defects or other reproductive harm. Some dust created by power sanding, sawing, grinding, drilling, and other construction activities contains chemicals known to cause cancer, birth defects or other reproductive harm. Some examples of these chemicals are:

- Lead from lead-based paints;
- Crystalline silica from bricks and cement and other masonry products;
- Arsenic and chromium from chemically treated lumber.

Your risk of exposure to these chemicals varies depending on how often you do this type of work. To reduce your exposure to these chemicals, work in a well-ventilated area, and work with approved safety equipment, such as dust masks that are specially designed to filter out microscopic particles.

8 INSTALLATION

8.1 UNPACK THE MACHINE

▲ WARNING

Make sure that you correctly assemble the machine before use.

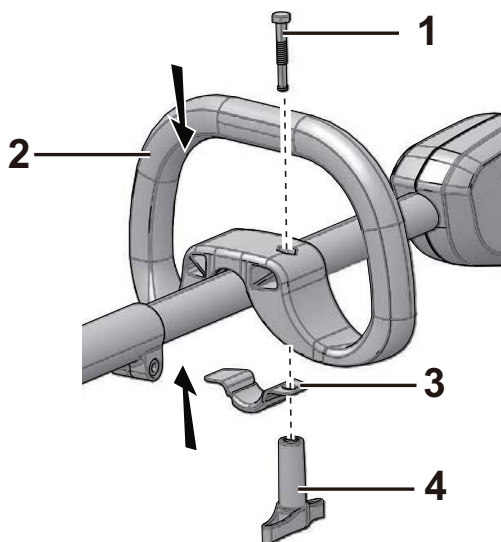
▲ WARNING

- If parts of the machine are damaged, do not use the machine.
- If you do not have all the parts, do not operate the machine.
- If parts are damaged or missing, contact the service center.

1. Open the package.
2. Read the documentation provided in the box.
3. Remove all the unassembled parts from the box.
4. Remove the machine from the box.
5. Discard the box and packing material in compliance with local regulations.

8.2 ATTACH THE AUXILIARY HANDLE

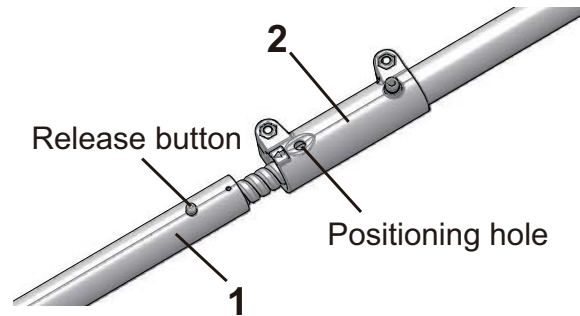
1. Remove the knob from the handle.
2. Attach the auxiliary handle (2) and lower clamp (3) on the shaft.
3. Set the auxiliary handle in the comfortable position.
4. Put the bolt (1) through the holes.
5. Tighten the auxiliary handle with the knob (4).



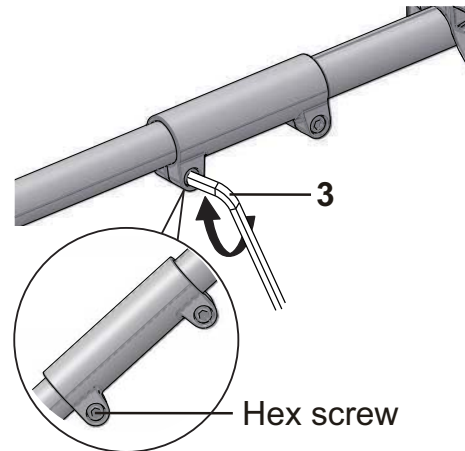
8.3 ASSEMBLE THE SHAFT

1. Loosen the screw on the coupler (2).
2. Push in the release button on the lower shaft (1).

3. Align the release button with the positioning hole and slide the two shafts together.



4. Turn the lower shaft until the button locks into the positioning hole.
5. Tighten the screw with the hex wrench (3).

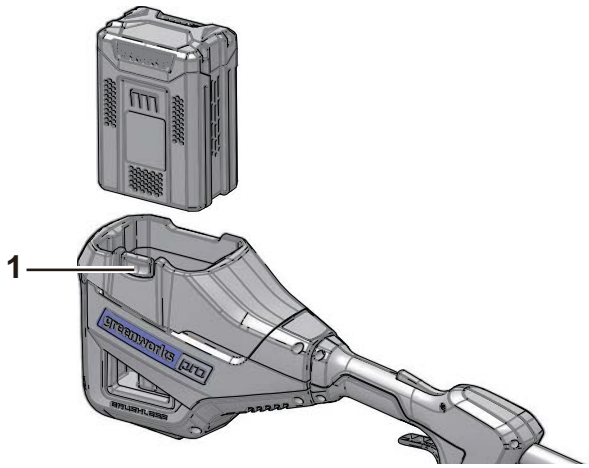


8.4 INSTALL THE BATTERY PACK

▲ WARNING

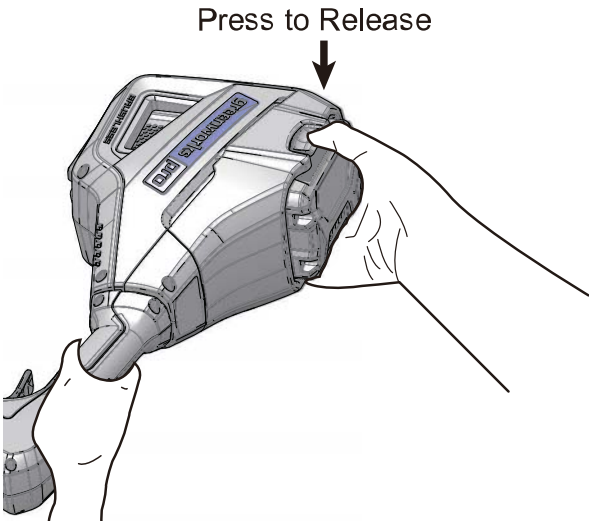
- If the battery pack or charger is damaged, replace the battery pack or the charger.
- Stop the machine and wait until the motor stops before you install or remove the battery pack.
- Read and understand the instructions in the battery and charger manual.

1. Align the lift ribs on the battery pack with the grooves in the battery compartment.
2. Push the battery pack into the battery compartment until the battery pack locks into place.
3. When you hear a click, the battery pack is installed.



8.5 REMOVE THE BATTERY PACK

1. Push and hold the battery release button (1).
2. Remove the battery pack from the machine.



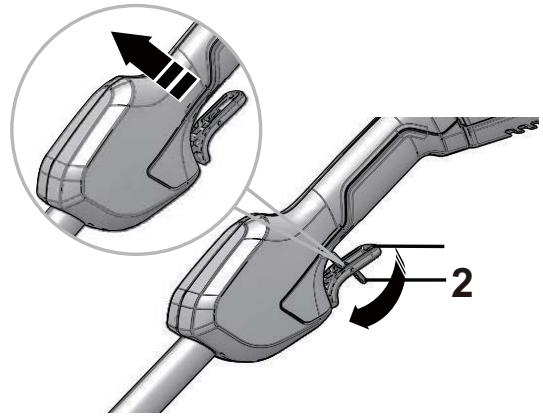
9 OPERATION

i IMPORTANT
 Before you operate the machine, read and understand the safety regulations and the operation instructions.

▲ WARNING
 Be careful when you operate the machine.

9.1 START THE MACHINE

1. Push forward the lock-out lever (2) and pull the trigger (1).

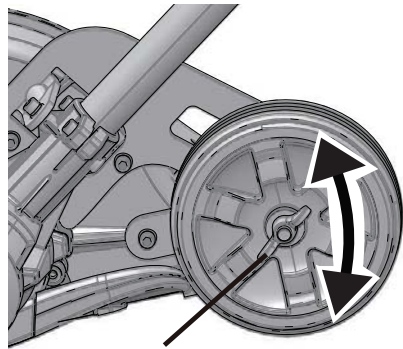


9.2 STOP THE MACHINE

1. Release the trigger to stop the machine.

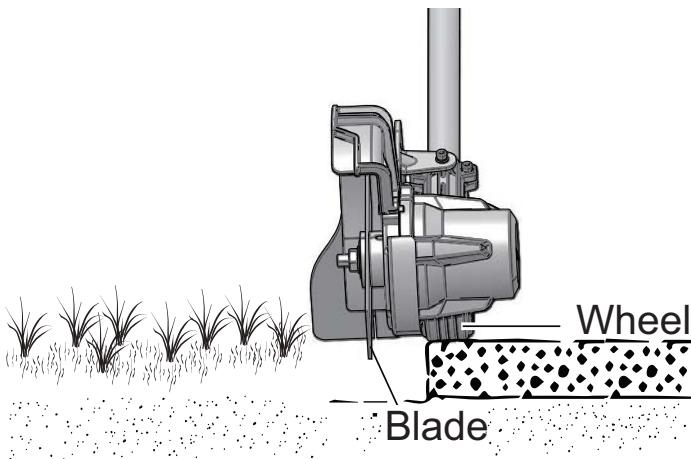
9.3 ADJUST THE DEPTH OF CUT

1. Remove the battery pack.
2. Loosen the depth adjustment knob to increase or decrease the depth.



Depth Adjustment Knob

3. Adjust the depth so that the blade barely touches the ground when the machine is held in a normal operating posture.
4. Tighten the depth adjustment knob.
5. Standing in a normal working position, check the depth of cut again and correct if necessary.
6. Replace the battery pack once all adjustments are complete.

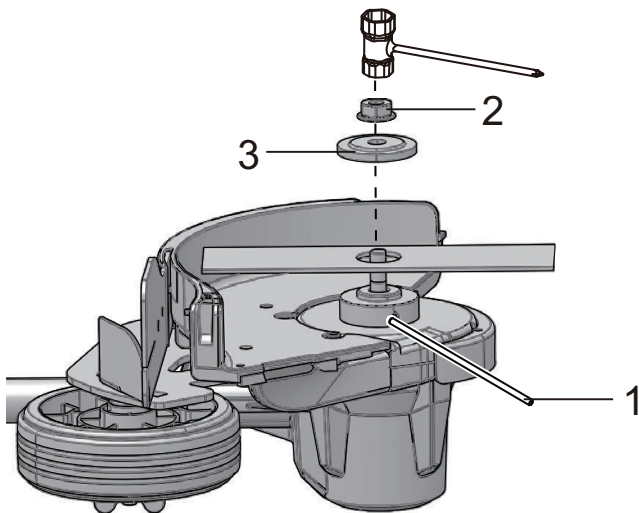


9.4 REPLACE THE BLADE

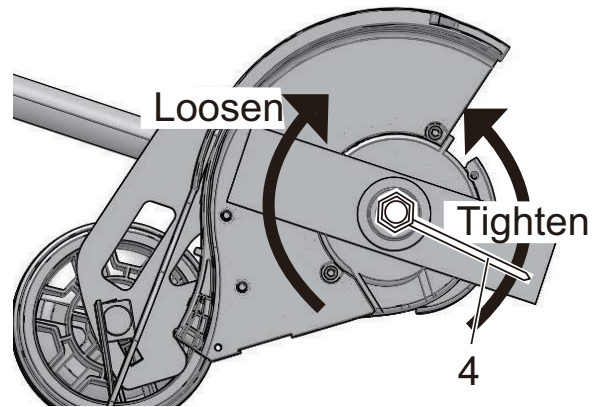
i NOTE

If the blade worn out, replace it with a new one (not provided).

1. Use a metal rod (1) to fix the blade.
2. Remove the nut (2) by turning it clockwise with the wrench (4) provided.
3. Remove the washer (3).



4. Remove the old blade and replace it with a new one.
5. Place the washer on the blade.
6. Place the nut on the washer and tighten it counterclockwise with the wrench provided.



9.5 OPERATION TIPS

▲ WARNING

Always hold the edger away from the body keeping clearance between your body and the edger. Any contact with the edger cutting head while operating can result in serious personal injury.

- Hold the edger with your right hand on the rear handle and your left hand on the front handle.
- Keep a firm grip with both hands while in operation.
- Edger should be held at a comfortable position with the rear handle about hip height.
- The edger will edge along sidewalks, driveways, flower beds, curbs, and similar areas.
- Cut at a steady pace. If the blade begins to bog down, you are edging too fast; slow your pace. Do not force the blade into ground.
- Light contact of the blade against the sidewalk edge, curb, etc., is acceptable and will not damage the edger.
- Best appearance is obtained when grass is dry. Avoid edging in wet soil or wet grass areas or the blade guard might clog and result in an uneven edge. If the blade guard becomes clogged, stop the edger, remove the battery, and remove debris from the blade guard.



10 MAINTENANCE

i IMPORTANT

Read and understand the safety regulations and the maintenance instructions before you clean, repair or do the maintenance work on the machine.

i IMPORTANT

Make sure that all nuts, bolts and screws are tight. Examine regularly that you install the handles tightly.

i IMPORTANT

Use only the replacement parts and accessories of the initial manufacturer.

10.1 GENERAL INFORMATION

i IMPORTANT

Only your dealer or approved service center can do the maintenance that is not given in this manual.

Before the maintenance operations:

- Stop the machine.
- Remove the battery pack.
- Cool the motor.
- Store the machine in cool and dry place.
- Use correct clothing, protective gloves and safety glasses.

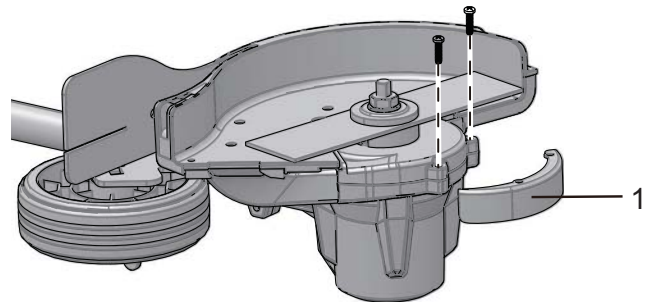
10.2 CLEAN THE MACHINE

- Clean the machine after use with a moist cloth dipped in neutral detergent.

- Do not use aggressive detergents or solvents to clean the plastic parts or handles.
- Keep the trimmer head free of grass, leaves, or excessive grease.
- Keep the air vents clean and free of debris to avoid overheating and damage to the motor or the battery.
- Do not spray water onto the motor and electrical components.

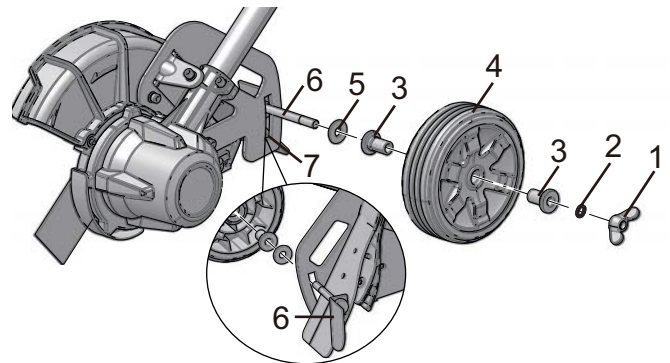
10.3 REPLACE THE SKID PLATE

1. Remove the screws with a Phillips Head screwdriver (not included).
2. Replace with the new skid plate (1).
3. Tighten the screws.

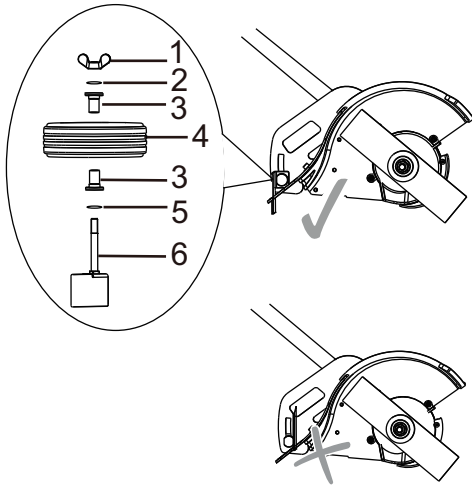


10.4 REPLACE THE WHEEL

1. Remove the battery.
2. Remove the wing nut (1), washer (2), axle sleeve (3), wheel (4), axle sleeve (3), rubber washer (5) and wheel axle (6) orderly from the wheel assembly.



3. Replace with the new wheel.
4. Insert the wheel axle (6) through the slot (7) downward, then put the rubber washer (5), axle sleeve (3), wheel (4), axle sleeve (3), washer (2) and wing nut (1) orderly through the wheel axle (6).



5. Tighten the wing nut (1).

11 TRANSPORTATION AND STORAGE

▲ WARNING

Remove the battery pack from the machine before transportation and storage.

11.1 MOVE THE MACHINE

When you move the machine, you must:

- Stop the machine.
- Remove the battery pack.

11.2 STORE THE MACHINE

- Remove the battery pack from the machine.
- Make sure that children cannot come near the machine.
- Keep the machine away from corrosive agents such as garden chemicals and de-icing salts.
- Secure the machine during transportation to prevent damage or injury. Clean and examine the machine for any damage.

12 TROUBLESHOOTING

Problem	Possible Cause	Solution
The machine does not start when you push the trigger.	No electrical contact between the machine and the battery pack.	1. Remove battery pack. 2. Check contact and install the battery pack again.
	The battery pack is depleted.	Charge the battery pack.
	The lock-out button and trigger are not pushed at the same time.	1. Pull the lock-out button and hold it. 2. Pull the trigger to start the machine.

Problem	Possible Cause	Solution
Edger stops during use.	Depth is set too low.	Adjust the depth as shown in the instruction manual.
	Walking too fast.	Do not force the edger through the grass.

13 TECHNICAL DATA

Type	Cordless, battery powered
Motor	80V
No load speed	7000 RPM
Blade length	8 in. (203 mm)
Weight (without battery pack)	10.47 lbs (4.75 kg)
Battery model	BAB727 and other BAB series
Charger model	2901402 and other CAB series

14 LIMITED WARRANTY



Greenworks hereby warrants this product, to the original purchaser with proof of purchase, for a period of four (4) years against defects in materials, parts or workmanship. Greenworks, at its own discretion will repair or replace any and all parts found to be defective, through normal use, free of charge to the customer. This warranty is valid only for units which have been used for personal use that have not been hired or rented for industrial/commercial use, and that have been maintained in accordance with the instructions in the owners' manual supplied with the product from new.

ITEMS NOT COVERED BY WARRANTY:

1. Any part that has become inoperative due to misuse, commercial use, abuse, neglect, accident, improper maintenance, or alteration; or
2. The unit, if it has not been operated and/or maintained in accordance with the owner's manual; or
3. Normal wear, except as noted below;
4. Routine maintenance items such as lubricants, blade sharpening;

- 5. Normal deterioration of the exterior finish due to use or exposure.

HELPLINE:

Warranty service is available by calling our toll-free helpline, at 1-855-345-3934.

TRANSPORTATION CHARGES:

Transportation charges for the movement of any power equipment unit or attachment are the responsibility of the purchaser. It is the purchaser's responsibility to pay transportation charges for any part submitted for replacement under this warranty unless such return is requested in writing by Greenworks.

USA address:

Greenworks Tools

P.O. Box 1238

Mooreville, NC 28115

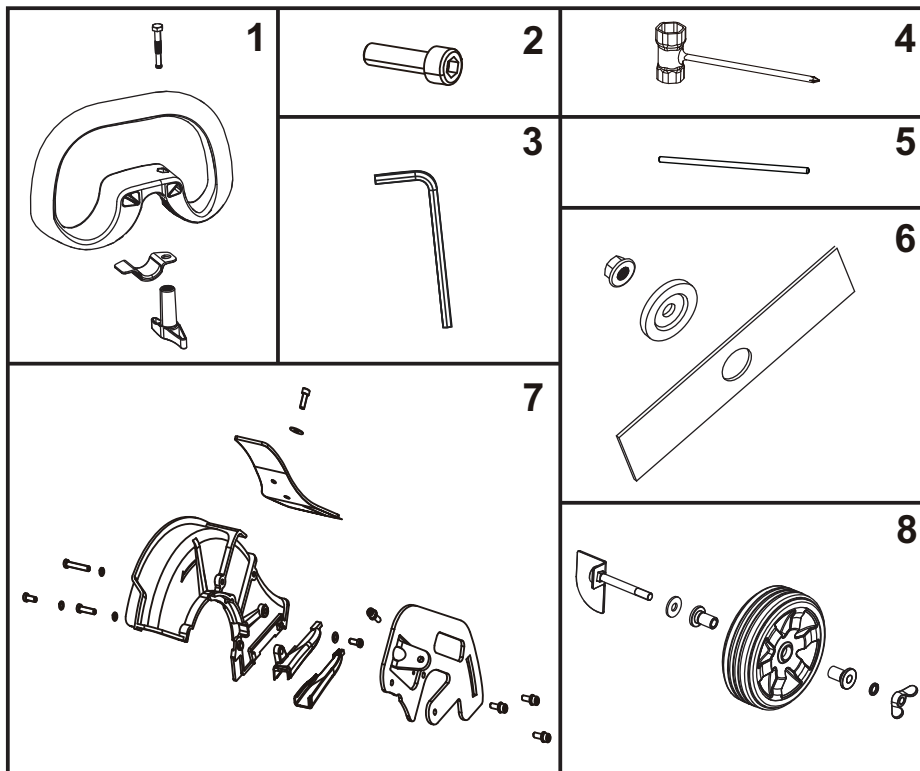
Canadian address:

Greenworks Tools Canada Inc.

P.O. Box 93095, Newmarket,
Ontario

L3Y 8K3

15 REPLACEMENT PARTS



No.	Part No.	Qty	Description	No.	Part No.	Qty	Description
1	R0201836-00	1	Auxiliary handle assembly	5	R0201933-00	1	Metal rod
2	R0201830-00	1	Hex screw	6	R0201066-00	1	Blade assembly
3	R0201770-00	1	Allen key	7	R0202132-00	1	Guard assembly

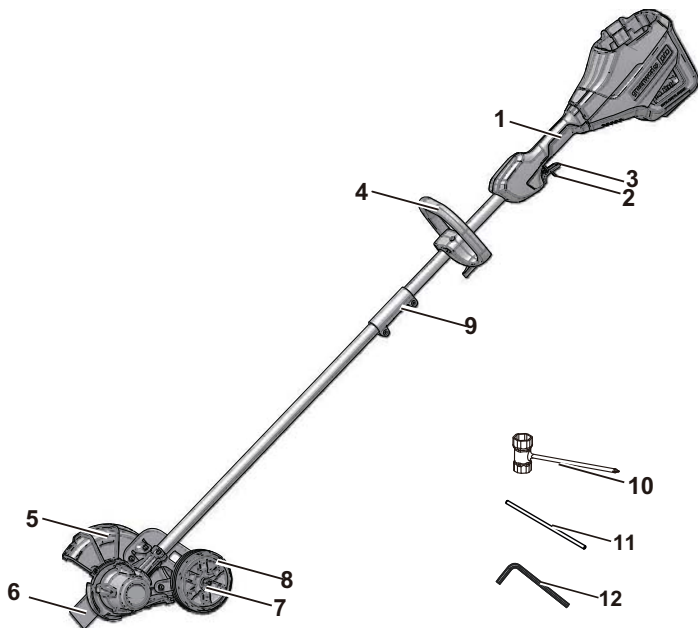
No.	Part No.	Qty	Description	No.	Part No.	Qty	Description
4	R0201932-00	1	Wrench	8	R0201067-00	1	Wheel assembly

1 DESCRIPTION

1.1 BUT

Cette coupe-bordure est utilisée pour tailler et couper le bord des allées, des trottoirs et plus encore. Le coupe-bordure ne doit pas être utilisé pour couper des haies, des arbustes, des buissons ou des fleurs.

1.2 APERÇU



- 1 Poignée arrière
- 2 Levier de verrouillage
- 3 Gâchette
- 4 Poignée auxiliaire
- 5 Garde protectrice
- 6 Lame
- 7 Poignée de réglage de longueur
- 8 Roue
- 9 Coupleur
- 10 Clé
- 11 Tige métallique
- 12 Clé allen

1.3 LISTE DU CONTENU DE L'EMBALLAGE

- | | |
|----------------------|---------------------------|
| 1 Coupe-bordures | 4 Clé |
| 2 Poignée auxiliaire | 5 Clé allen |
| 3 Tige métallique | 6 Manuel de l'utilisateur |

2 INSTRUCTIONS IMPORTANTES SUR LA SÉCURITÉ

LISEZ TOUTES LES INSTRUCTIONS AVANT L'UTILISATION (CET OUTIL ÉLECTRIQUE)

▲ AVERTISSEMENT

Lisez et comprenez toutes les instructions avant d'utiliser ce produit. Le non-respect de ces avertissements et de ces instructions peut entraîner un choc électrique, un incendie et/ou des blessures graves.

- Utilisez uniquement des pièces de rechange et des accessoires identiques du fabricant. L'utilisation d'autres pièces peut créer un danger ou endommager le produit.
- Portez toujours des lunettes de sécurité dont les écrans latéraux sont conformes à la norme ANSI Z87.1. Les lunettes ordinaires sont dotées de verres résistants aux impacts seulement. Ce ne sont PAS des lunettes de sécurité. Le respect de cette règle réduira le risque de blessures aux yeux. Utilisez un masque facial si vous travaillez dans des endroits poussiéreux.
- Évitez les endroits dangereux — n'exposez pas les outils électriques à des conditions humides ou mouillées. L'eau qui pénètre dans un outil électrique augmente le risque de choc électrique.
- N'utilisez pas sous la pluie.
- Tenez tous les curieux, les enfants et les animaux domestiques à une distance d'au moins 15 m.
- Habillez-vous correctement – ne portez pas de vêtements amples ou de bijoux. Ils pourraient se coincer dans les pièces en mouvement. Le port de gants en caoutchouc et de chaussures adaptées est recommandé pour travailler à l'extérieur. Portez un couvre-chef protecteur pour contenir les cheveux longs.
- Utilisez le bon appareil. N'utilisez l'appareil que pour les travaux auxquels il est destiné.
- Évitez tout démarrage accidentel – ne transportez pas l'appareil branché avec un doigt sur l'interrupteur. Assurez-vous que l'interrupteur est éteint lorsque vous branchez la batterie.
- Ne forcez pas l'appareil - il fera mieux le travail et avec moins de risque de blessure à la vitesse pour laquelle il a été conçu.
- Ne vous penchez pas trop - gardez un bon équilibre en tout temps.
- Soyez vigilant et faites attention à ce que vous faites. Faites appel à votre bon sens. N'utilisez pas cet appareil si vous êtes fatigué, malade ou sous l'influence de l'alcool, de drogues ou de médicaments.
- Rangez toujours les outils électriques inutilisés à l'intérieur - lorsqu'ils ne sont pas utilisés, entreposez-les à l'intérieur dans un endroit sec, hors de portée des enfants.
- Effectuez l'entretien de l'appareil avec précaution - Remplacez la tête de coupe si elle est fissurée, ébréchée ou endommagée de quelque façon que ce soit. Assurez-

vous que la tête de coupe est correctement installée et solidement fixée. Gardez le bord des dents bien aiguisé et propre pour une meilleure performance et pour réduire les risques de blessures. Suivez les instructions pour lubrifier et changer les accessoires. Inspectez périodiquement le cordon de l'appareil. S'il est endommagé, faites-le réparer par un réparateur agréé. Inspectez périodiquement les rallonges électriques et remplacez-les si elles sont endommagées. Veillez à ce que les poignées restent propres, sèches et exemptes d'huile et de graisse. Le non-respect de cette consigne peut entraîner des blessures corporelles graves.

- Vérifier les pièces endommagées avant d'utiliser l'appareil. Il convient de vérifier soigneusement la garde protectrice ou toute autre pièce endommagée pour s'assurer qu'il fonctionnera correctement comme prévu. Vérifiez l'alignement des pièces mobiles, la fixation des pièces mobiles, la cassure des pièces, les fixations endommagées et toute autre condition qui pourrait affecter leur fonctionnement. Une garde protectrice ou toute autre pièce endommagée doit être correctement réparée ou remplacée par un centre de service agréé, sauf en cas d'indication contraire dans ce manuel.
- Ne chargez pas l'appareil sous la pluie ou dans des endroits humides.
- Retirez ou débranchez la batterie avant d'entretenir, de nettoyer ou d'enlever des matériaux de l'appareil de jardinage.
- Utilisez les appareils uniquement avec des batteries spécialement conçues à cet effet. L'utilisation de toutes autres batteries peut créer un risque de blessure et d'incendie.
- Rechargez uniquement avec le chargeur spécifié par le fabricant. Un chargeur adapté à un type de bloc-batterie peut créer un risque d'incendie lorsqu'il est utilisé avec un autre bloc-batterie.
- Utilisez uniquement la batterie BAB727 Greenworks ou d'autres séries BAB.
- Utilisez uniquement le chargeur 2901402 Greenworks ou d'autres séries CAB.
- Lorsque le bloc-batterie n'est pas utilisé, éloignez-le des autres objets métalliques tels qu'attaches trombones, pièces de monnaie, clés, clous, vis ou autres petits objets métalliques qui peuvent établir une connexion d'une borne à une autre. Le court-circuitage des bornes de la batterie peut provoquer un incendie.
- Dans des conditions abusives, du liquide peut être éjecté de la batterie ; évitez tout contact. En cas de contact accidentel, rincez avec de l'eau. En cas de contact avec les yeux, consultez également un médecin. Le liquide s'échappant des batteries peut causer des irritations ou des brûlures.
- N'utilisez pas un bloc-batterie ou un appareil endommagé ou modifié. Les batteries endommagées ou modifiées peuvent présenter un fonctionnement imprévisible et provoquer un incendie, une explosion ou un risque de blessure.

- N'exposez pas un bloc-batterie ou un appareil à un feu ou à une température excessive. L'exposition au feu ou une température supérieure à 130 °C (265 °F) peut provoquer une explosion.
- Ne jetez pas les batteries au feu. Les cellules peuvent exploser. Consultez les règlements locaux pour connaître les instructions d'élimination spéciales.
- Ne tentez pas d'ouvrir ni d'abîmer la batterie. Les électrolytes rejetés sont corrosifs et peuvent causer des dommages aux yeux ou à la peau. L'électrolyte peut être toxique lorsqu'elle est avalée.
- Manipulez les batteries avec précaution afin de ne pas court-circuiter la batterie avec des matériaux conducteurs tels que les bagues, les bracelets et les clés. La batterie ou le conducteur peut surchauffer et provoquer des brûlures.
- Suivez toutes les instructions de recharge et ne rechargez pas le bloc-batterie ou l'appareil en dehors de la plage de température spécifiée dans ces instructions. Un rechargement incorrect ou à des températures en dehors de la plage spécifiée peut endommager la batterie et augmenter le risque d'incendie.
- Retirez la batterie de l'outil électrique avant d'effectuer des réglages, de changer des accessoires ou de ranger la machine. De telles mesures de sécurité préventives réduisent le risque d'un démarrage accidentel de la machine.
- Faites effectuer l'entretien par un réparateur qualifié en n'utilisant que des pièces de rechange identiques. Cela garantira le maintien de la sécurité du produit.
- Gardez les gardes protectrices en place et en bon état de fonctionnement.
- Gardez les mains et les pieds éloignés de la zone de coupe.
- Maintenez les lames tranchantes.









La plage de température ambiante recommandée :

Article	Température
Plage de température d'entreposage du coupe-bordures	32°F (0°C) - 113°F (45°C)
Plage de température d'utilisation du coupe-bordures	32°F (0°C) - 113°F (45°C)
Plage de température de rechargement de la batterie	39°F (4°C) - 104°F (40°C)
Plage de température de fonctionnement du chargeur	39°F (4°C) - 104°F (40°C)
Plage de température d'entreposage de la batterie	32°F (0°C) - 113°F (45°C)
Plage de température de déchargement de la batterie	32°F (0°C) - 113°F (45°C)

CONSERVEZ CES INSTRUCTIONS



3 SYMBOLES FIGURANT SUR LA MACHINE

Certains des symboles suivants peuvent être utilisés sur cette machine. Veuillez les étudier et apprendre leur signification. Une bonne interprétation de ces symboles vous permettra de mieux utiliser l'outil et de manière plus sécuritaire.

Symbole	Explication
V	Voltage
A	Courant
Hz	Fréquence (cycles par seconde)
W	Puissance
min	Heure
/min	Tours, coups, vitesse périphérique, orbites, etc., par minute
	Courant direct
	Précautions destinées à assurer la sécurité.
	Lisez et comprenez toutes les instructions avant d'utiliser cette machine, et suivez tous les avertissements et les consignes de sécurité.
	Portez toujours des lunettes de sécurité dont les écrans latéraux sont conformes à la norme ANSI Z87.1. lorsque vous utilisez cette machine.
	Ne pas exposer la machine à la pluie ou à l'humidité.
	Tenez tous les curieux à une distance d'au moins 15 m.
	Les objets projetés peuvent ricocher et causer des blessures corporelles ou des dommages matériels.
	Danger – Gardez les mains et les pieds éloignés de la lame.

4 NIVEAUX DE RISQUES

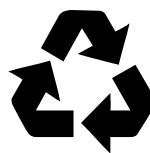
Les termes de mise en garde suivants et leur signification ont pour but d'expliquer les niveaux de risques associés à l'utilisation de ce produit.

SYM-BOLE	SIGNAL	SIGNIFICATION
	DANGER	Indique une situation dangereuse imminente qui, si elle n'est pas évitée, peut entraîner la mort ou des blessures graves.
	AVERTISSEMENT	Indique une situation potentiellement dangereuse qui, si elle n'est pas évitée, peut entraîner la mort ou des blessures graves.
	MISE EN GARDE	Indique une situation potentiellement dangereuse qui, si elle n'est pas évitée, pourrait causer des blessures mineures ou modérées.
	MISE EN GARDE	(Sans symbole d'alerte de sécurité) indique une situation pouvant entraîner des dommages matériels.

5 SERVICE

L'entretien nécessite un soin extrême et une connaissance approfondie du système, et ne doit être effectué que par un technicien qualifié. Pour l'entretien, nous vous suggérons de retourner la machine à votre CENTRE DE SERVICE AUTORISÉ le plus proche pour réparation. Utilisez uniquement des pièces de rechange et des accessoires identiques du fabricant.

6 ÉLIMINATION DES BATTERIES SANS DANGER POUR L'ENVIRONNEMENT



Les matières toxiques et corrosives ci-dessous se trouvent dans les batteries utilisées dans cette machine : **Lithium-ion, une substance toxique.**

▲ AVERTISSEMENT

Éliminez toutes les substances toxiques d'une manière spécifiée afin de prévenir la contamination de l'environnement. Avant de jeter une batterie au lithium-ion endommagée ou usée, contactez votre agence locale d'élimination des déchets ou l'agence locale de protection de l'environnement pour obtenir des informations et des instructions spécifiques. Apportez les batteries à un centre local de recyclage ou d'élimination certifié pour l'élimination de batteries au lithium-ion.

▲ AVERTISSEMENT

Si la batterie se fend ou se brise, avec ou sans fuites, ne la rechargez pas et ne l'utilisez pas. Jetez-la et remplacez-la par une nouvelle batterie. **N'ESSAYEZ PAS DE LA RÉPARER !** Pour prévenir les blessures et les risques d'incendie, d'explosion ou de décharge électrique, et pour éviter tout dommage à l'environnement :

- Couvrez les bornes de la batterie avec du ruban adhésif résistant.
- **NE PAS** essayer d'enlever ou de détruire les composants de la batterie.
- **NE PAS** essayer d'ouvrir ou de réparer la batterie.
- En cas de fuite, les électrolytes rejetés sont corrosifs et toxiques. **NE laissez PAS** entrer la solution dans les yeux ou en contact avec la peau et ne l'avalez pas.
- **NE PAS** jeter vos batteries usagées dans votre poubelle à ordures ménagères.
- N'incinerez **PAS** les batteries.
- **NE LES** Mettez **PAS** dans un endroit où ils feront partie d'un site d'enfouissement de déchets ou d'un flux de déchets solides municipaux.
- Emmenez-les dans un centre de recyclage ou d'élimination certifié.

7 PROPOSITION 65

▲ AVERTISSEMENT

Ce produit contient un produit chimique connu dans l'état de Californie comme étant une cause de cancer, de malformations congénitales ou d'autres problèmes de reproduction. Certaines poussières produites par le ponçage mécanique, le sciage, le meulage, le perçage et d'autres activités de construction contiennent des produits chimiques connus pour causer le cancer, des malformations congénitales ou d'autres problèmes de reproduction. Voici quelques exemples de ces produits chimiques :

- Plomb provenant de peintures à base de plomb;
- Silice cristalline provenant de briques, de ciment et d'autres produits de maçonnerie;
- Arsenic et chrome provenant de bois traité chimiquement.

Votre risque d'exposition à ces produits chimiques varie selon la fréquence à laquelle vous faites ce type de travail. Pour réduire votre exposition à ces produits chimiques, travaillez dans un endroit bien ventilé et utilisez un équipement de sécurité approuvé, comme des masques anti-poussière spécialement conçus pour filtrer les particules microscopiques.

8 INSTALLATION

8.1 DÉBALLER LA MACHINE

▲ AVERTISSEMENT

Assurez-vous d'assembler correctement la machine avant de l'utiliser.

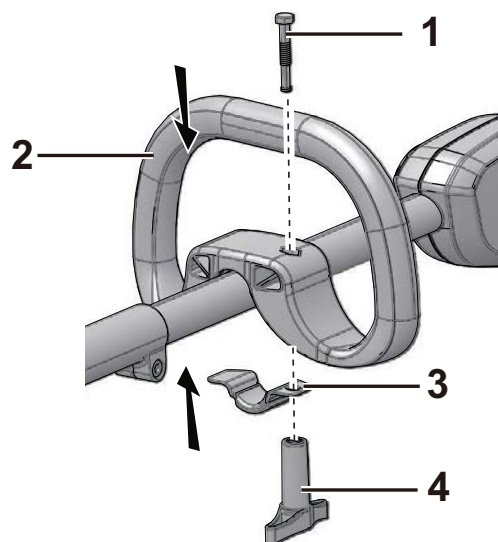
▲ AVERTISSEMENT

- Si les pièces de la machine sont endommagées, ne l'utilisez pas.
- Si vous n'avez pas toutes les pièces, n'utilisez pas la machine.
- Si des pièces sont endommagées ou manquantes, communiquez avec le centre de service.

1. Ouvrez l'emballage.
2. Lisez la documentation contenue dans la boîte.
3. Retirez toutes les pièces non assemblées de la boîte.
4. Retirez la machine de sa boîte.
5. Jetez la boîte et l'emballage conformément aux règlements locaux.

8.2 ATTACHEZ LA POIGNÉE AUXILIAIRE

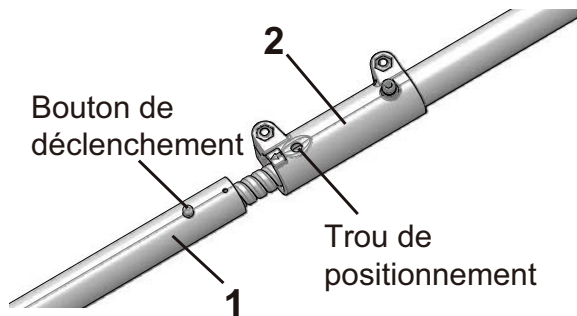
1. Retirez le bouton de la poignée.
2. Attachez la poignée auxiliaire (2) et abaissez la bride (3) sur le manche.
3. Placez la poignée auxiliaire dans une position confortable.
4. Introduisez le boulon (1) dans les trous.
5. Serrez la poignée auxiliaire à l'aide du bouton (4).



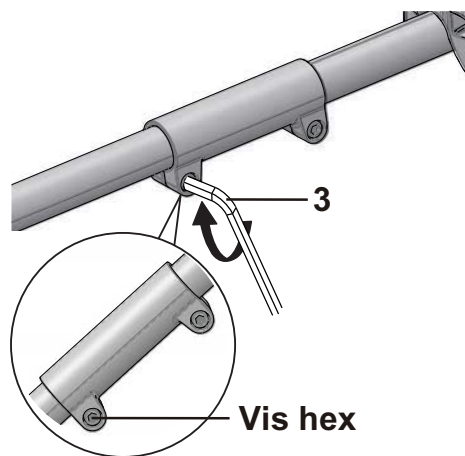
8.3 ASSEMBLEZ L'ARBRE

1. Desserrez la vis sur le coupleur (2).
2. Enfoncez le bouton de déclenchement sur l'arbre inférieur (1).

3. Alignez le bouton de déclenchement avec le trou de positionnement et glissez les deux arbres ensemble.



4. Tournez l'arbre inférieur jusqu'à ce que le bouton s'enclenche dans le trou de positionnement.
5. Serrez la vis avec une clé Hex (3).

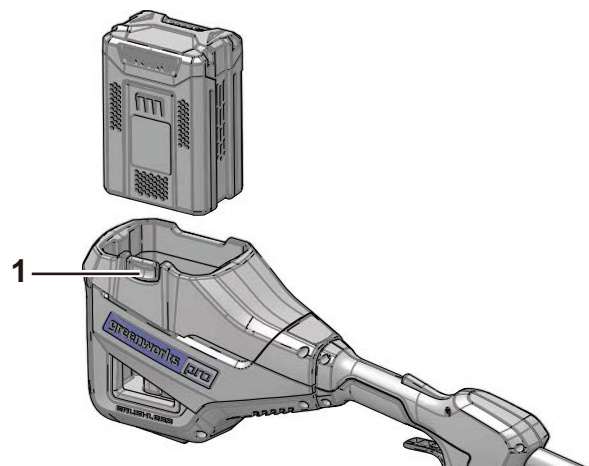


8.4 INSTALLER LE BLOC-BATTERIE

▲ AVERTISSEMENT

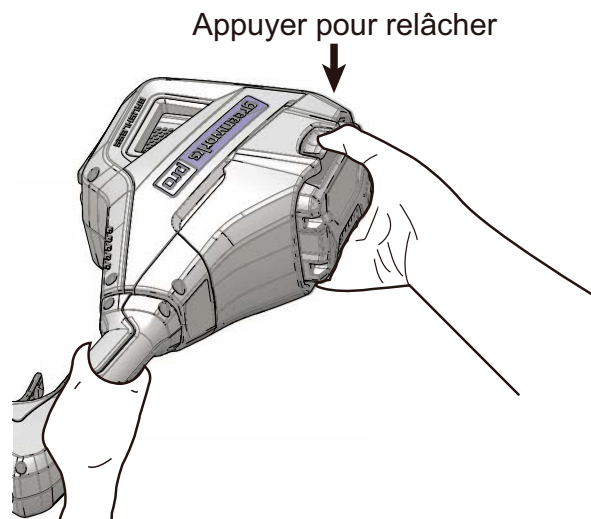
- Si le bloc-batterie ou le chargeur est endommagé, remplacez-le, au besoin.
- Arrêtez la machine et attendez que le moteur s'arrête avant d'installer ou de retirer le bloc-batterie.
- Lisez et comprenez les instructions du manuel du bloc-batterie et du chargeur.

1. Alignez les languettes du bloc-batterie avec les rainures du compartiment de batterie.
2. Poussez le bloc-batterie dans le compartiment de batterie jusqu'à ce qu'il soit bien encliqueté.
3. Vous devriez entendre un clic lorsque le bloc-batterie sera inséré correctement.



8.5 RETIRER LE BLOC-BATTERIE

1. Poussez et maintenez enfoncé le bouton de déblocage de la batterie (1).
2. Retirez le bloc-batterie de la machine.



9 UTILISATION

i IMPORTANT

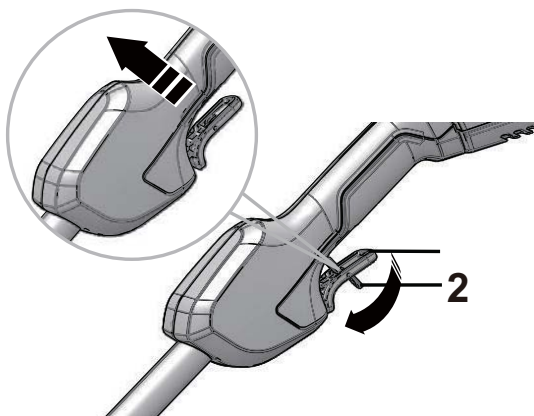
Avant d'utiliser la machine, lisez et comprenez les consignes de sécurité et les instructions d'utilisation.

▲ AVERTISSEMENT

Soyez prudent lorsque vous utilisez la machine.

9.1 DÉMARRER LA MACHINE

1. Poussez le levier de verrouillage vers l'avant (2) et tirez la gâchette (1).

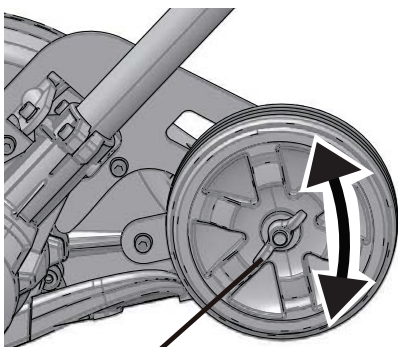


9.2 ARRÊTER LA MACHINE

1. Lâchez la gâchette pour arrêter la machine.

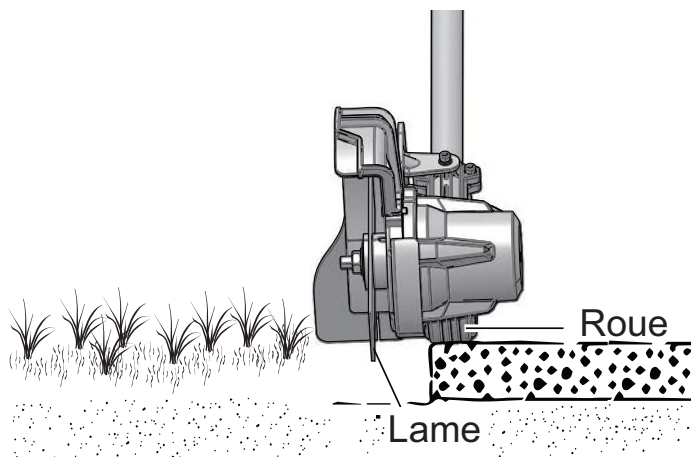
9.3 RÉGLEZ LA LONGUEUR DE COUPE

1. Retirez le bloc-batterie.
2. Relâchez le bouton de réglage pour augmenter ou diminuer la profondeur.



Bouton de réglage de profondeur

3. Réglez la longueur afin que la lame touche à peine le sol lorsque la machine est maintenue dans sa position opérationnelle.
4. Serrez le bouton de réglage de profondeur.
5. En vous tenant dans une position normale de travail, vérifiez à nouveau la longueur de coupe et corrigez si nécessaire.
6. Remettez la batterie en place une fois les réglages terminés.

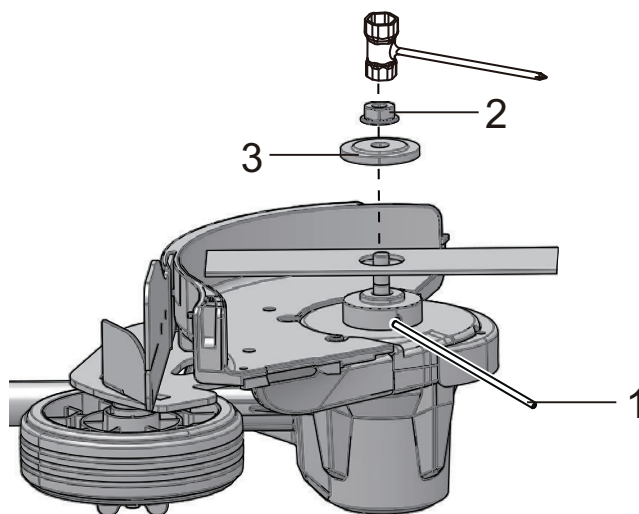


9.4 REMPLACEZ LA LAME

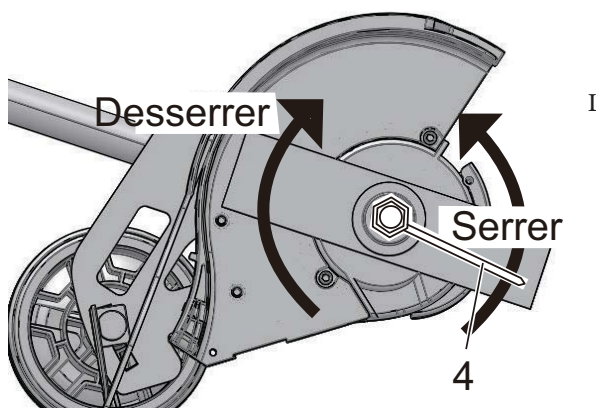
i REMARQUE

Si une lame est usée, remplacez-la par une nouvelle (non-fournie).

1. Utilisez une tige métallique (1) pour fixer la lame.
2. Retirez l'écrou (2) en le tournant dans le sens des aiguilles d'une montre avec la clé (4) fournie.
3. Retirez la rondelle (3).



4. Retirez l'ancienne lame et remplacez-la par une nouvelle.
5. Placez la rondelle sur la lame.
6. Placez l'écrou sur la rondelle et serrez-le dans le sens inverse des aiguilles d'une montre avec la clé fournie.



9.5 CONSEILS SUR L'UTILISATION

▲ AVERTISSEMENT

Maintenez toujours le coupe-bordures éloigné du corps en laissant un espace entre votre corps et le coupe-bordures. Tout contact avec la tête coupante du coupe-bordures pendant l'utilisation peut provoquer de graves blessures.

- Tenez le coupe-bordures avec la main droite sur la poignée arrière et la main gauche sur la poignée avant.
- Maintenez fermement avec les deux mains lors de l'utilisation.
- Vous devez maintenir le coupe-bordures dans une position confortable avec la poignée avant à hauteur de hanche.
- Le coupe-bordures peut être utilisé pour les trottoirs, les routes, les parterres de fleurs, les bordures et autres surfaces similaires.
- Coupez à un rythme régulier. Si la lame commence à s'enliser c'est que la coupe est trop rapide, ralentissez votre rythme. Ne forcez pas la lame dans le sol.
- Un contact léger de la lame contre le trottoir, la bordure, etc. est acceptable et n'endommagera pas le coupe-bordures.
- On obtient un meilleur résultat de coupe lorsque l'herbe est sèche. Évitez de couper des surfaces mouillées ou des zones d'herbe mouillées sans quoi le garde-lame peut s'enliser et provoquer une coupe irrégulière. Si le garde-lame s'enlise, arrêtez le coupe-bordures, retirez la batterie et retirez les déchets du garde-lame.

10 ENTRETIEN

i IMPORTANT

Lisez et comprenez les consignes de sécurité et les instructions d'entretien avant de nettoyer, de réparer ou d'effectuer des travaux d'entretien sur la machine.

i IMPORTANT

Assurez-vous que tous les écrous, les boulons et les vis sont bien serrés. Vérifiez régulièrement que les poignées sont bien serrées.

i IMPORTANT

Utilisez uniquement les pièces de rechange et les accessoires du fabricant initial.

10.1 INFORMATIONS GÉNÉRALES

i IMPORTANT

Seul votre concessionnaire ou un centre de service agréé peut effectuer l'entretien qui n'est pas indiqué dans ce manuel.

Avant les opérations d'entretien :

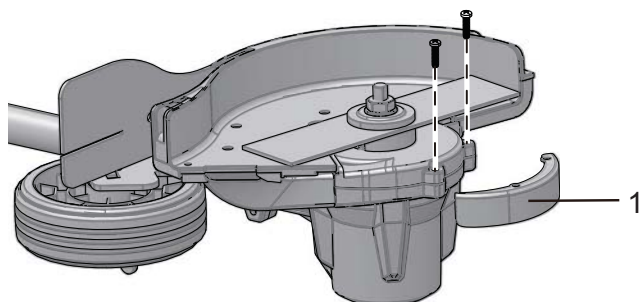
- Arrêtez la machine.
- Retirez le bloc-batterie.
- Laissez le moteur se refroidir.
- Entrez la machine dans un endroit frais et sec.
- Portez des vêtements, des gants de protection et des lunettes de sécurité appropriés.

10.2 NETTOYEZ LA MACHINE

- Nettoyez la machine après utilisation avec un chiffon humide trempé dans un détergent neutre.
- N'utilisez pas de détergents ou de solvants agressifs pour nettoyer les pièces en plastique ou les poignées.
- Gardez la tête de coupe exempte d'herbe, de feuilles ou de graisse excessive.
- Gardez les événements d'aération propres et exempts de débris pour éviter la surchauffe et les dommages au moteur ou à la batterie.
- Ne pulvérisez pas de l'eau sur le moteur et les composants électriques.

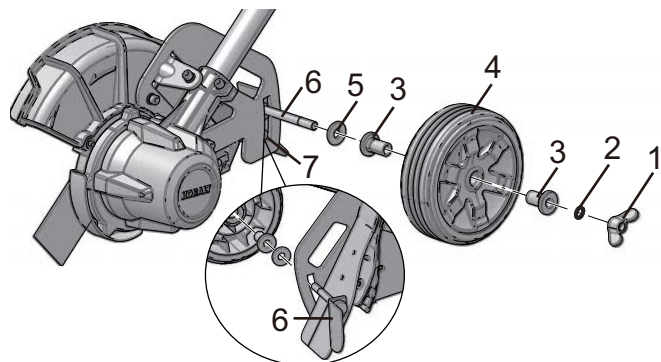
10.3 RETIREZ LE DISQUE DE PROTECTION

1. Resserrez les vis à l'aide d'un tournevis cruciforme Phillips (non fourni).
2. Remplacez par un nouveau disque de protection (1).
3. Serrez les vis.



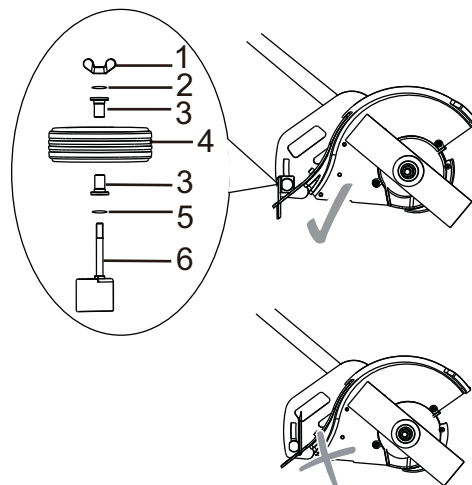
10.4 REMPLACEZ LA ROUE

1. Retirez la batterie.
2. Retirez l'écrou papillon (1), la rondelle (2), la gaine d'essieu (3), la roue (4), la gaine d'essieu (3), la rondelle en caoutchouc (5) et l'essieu de la roue (6) en suivant la méthodologie de montage de la roue.



3. Remplacez par une nouvelle roue.

4. Insérez l'essieu de la roue (6) dans la rainure (7) vers le bas, puis placez la rondelle en caoutchouc (5), la gaine d'essieu (3), la roue (4), l'essieu de roue (3), la rondelle (2) et l'écrou papillon (1) en suivant la méthodologie de montage de la roue (6).



5. Serrez l'écrou papillon (1).

11 TRANSPORT ET ENTREPOSAGE

▲ AVERTISSEMENT

Retirez la batterie de la machine avant de la transporter et de l'entreposer.

11.1 DÉPLACEZ LA MACHINE

Lorsque vous déplacez la machine, il faut toujours faire ce qui suit :

- Arrêtez la machine.
- Retirez le bloc-batterie.

11.2 ENTREPOSEZ LA MACHINE

- Retirez le bloc-batterie de la machine.
- Assurez-vous que les enfants ne peuvent pas s'approcher de la machine.
- Gardez la machine loin des agents corrosifs, tels que les produits chimiques de jardin et les sels de déglacage.
- Protégez la machine pendant le transport pour éviter tout dommage ou blessure. Nettoyez la machine et vérifiez qu'elle n'est pas endommagée.

12 DÉPANNAGE

Problème	Cause possible	Solution
Le moteur ne démarre pas lorsque vous appuyez sur la gâchette.	Pas de contact électrique entre la machine et le bloc-batterie.	1. Retirez le bloc-batterie. 2. Vérifiez le contact et réinstallez le bloc-batterie.
	Le bloc-batterie est déchargé.	Rechargez le bloc-batterie.
	Le bouton de verrouillage et la gâchette ne sont pas enfoncés en même temps.	1. Appuyez sur le bouton de verrouillage et maintenez-le enfoncé. 2. Appuyez sur la gâchette pour démarrer la machine.
Le coupe-bordure s'arrête pendant l'utilisation.	La profondeur est réglée trop bas.	Réglez la profondeur comme indiqué dans le manuel d'utilisation.
	Marcher trop vite.	Ne forcez pas le coupe-bordure dans l'herbe.

remplacera toutes les pièces défectueuses, dans des conditions normales d'utilisation, sans frais pour le client. Cette garantie n'est valable que pour les appareils qui ont été utilisés à des fins personnelles, qui n'ont pas été loués à des fins industrielles ou commerciales et qui ont été entretenus conformément aux instructions du manuel du propriétaire fourni avec le produit neuf.

ARTICLES NON COUVERTS PAR LA GARANTIE :

1. Toute pièce qui est devenue inopérante en raison d'une mauvaise utilisation, d'une utilisation commerciale, d'un abus, d'une négligence, d'un accident, d'un entretien inapproprié ou d'une modification; ou
2. L'appareil, s'il n'a pas été utilisé et/ou entretenu conformément au manuel du propriétaire; ou
3. Usure normale, sauf comme indiqué ci-dessous;
4. Articles d'entretien courant tels que lubrifiants, affûtage des lames;
5. Détérioration normale du fini extérieur due à l'utilisation ou à l'exposition.

ASSISTANCE TÉLÉPHONIQUE :

Le service de garantie est disponible en appelant notre ligne d'assistance téléphonique sans frais, au 1-855-345-3934.

13 DONNÉES TECHNIQUES

Type	Sans fil, fonctionne sur batterie
Moteur	80V
Vitesse à vide	7000 tr/min
Longueur de la lame	8 in. (203 mm)
Poids (sans batterie)	10.47 lbs (4.75 kg)
Batterie (modèle)	BAB727 et autres séries BAB
Chargeur (modèle)	2901402 et autres séries CAB

FRAIS DE TRANSPORT :

Les frais de transport pour le déplacement de tout équipement motorisé ou accessoire sont à la charge de l'acheteur. Il incombe à l'acheteur de payer les frais de transport pour toute pièce retournée pour remplacement en vertu de la présente garantie, à moins qu'un tel retour soit demandé par écrit par Greenworks.

Adresse aux États-Unis : Adresse au Canada :

Greenworks Tools	Greenworks Tools Canada Inc.
P.O. Box 1238	P.O. Box 93095, Newmarket, Ontario
Mooresville, NC 28115	L3Y 8K3

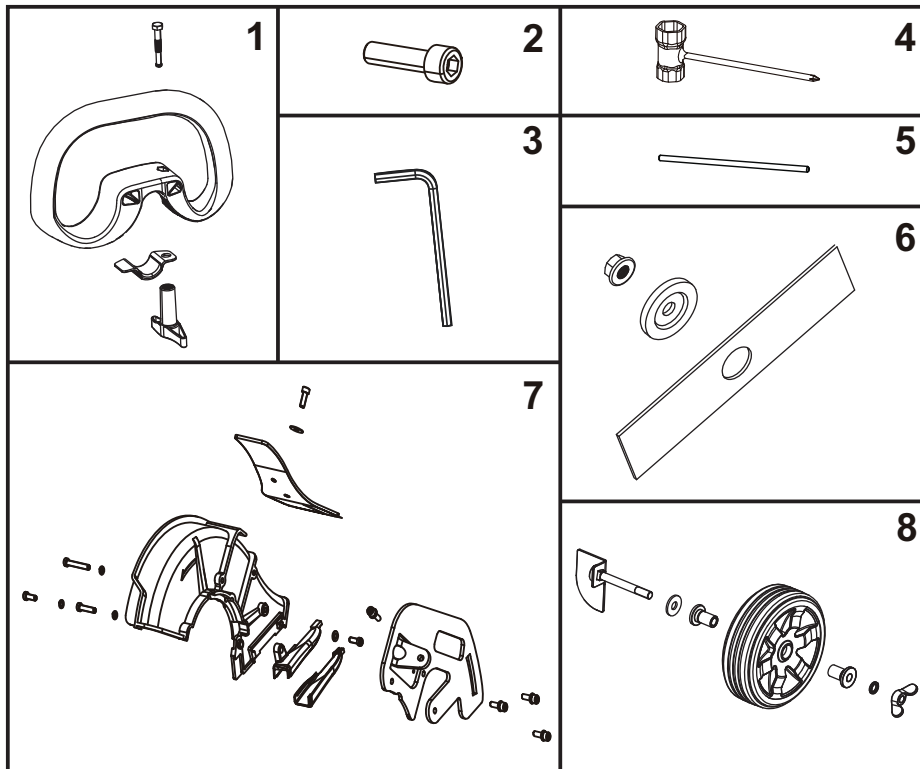
14 GARANTIE LIMITÉE



Greenworks garantit par la présente ce produit, à l'acheteur original avec preuve d'achat, pour une période de quatre (4) ans contre tout défaut de matériaux, de pièces ou de main-d'œuvre. Greenworks, à sa propre discrétion, réparera ou

15 PIÈCE DE RECHANGE

FR



No	No de pièce	Qté	Description	N°	No de pièce	Qté	Description
1	R0201836-00	1	Ensemble de poignée auxiliaire	5	R0201933-00	1	Tige métallique
2	R0201830-00	1	Vis hexagonale	6	R0201066-00	1	Ensemble de lame
3	R0201770-00	1	Clé Allen	7	R0202132-00	1	Ensemble de la garde protectrice
4	R0201932-00	1	Clé	8	R0201067-00	1	Ensemble de roue

1	Descripción.....	26	9	Funcionamiento.....	30
1.1	Finalidad.....	26	9.1	Puesta en marcha de la máquina.....	30
1.2	Perspectiva general.....	26	9.2	Detención de la máquina.....	31
1.3	Lista de embalaje.....	26	9.3	Ajuste de la profundidad de corte.....	31
2	Instrucciones importantes de seguridad.....	26	9.4	Sustitución de la cuchilla.....	31
3	Símbolos en la máquina.....	27	9.5	Consejos de funcionamiento.....	32
4	Niveles de riesgo.....	28	10	Mantenimiento.....	32
5	Servicio.....	28	10.1	Información general.....	32
6	Eliminación de batería segura para el medio ambiente.....	28	10.2	Limpieza de la máquina.....	33
7	Propuesta 65.....	29	10.3	Sustitución de la placa de protección de bajos.....	33
8	Instalación.....	29	10.4	Sustitución de la rueda.....	33
8.1	Desembalaje de la máquina.....	29	11	Transporte y almacenamiento.....	33
8.2	Fijación del asa auxiliar.....	29	11.1	Traslado de la máquina.....	33
8.3	Montaje del eje.....	29	11.2	Almacenamiento de la máquina.....	33
8.4	Instalación de la batería.....	30	12	Solución de problemas.....	34
8.5	Retirada de la batería.....	30	13	Datos técnicos.....	34
			14	Garantía limitada.....	34
			15	Piezas de repuesto.....	35

▲ AVISO

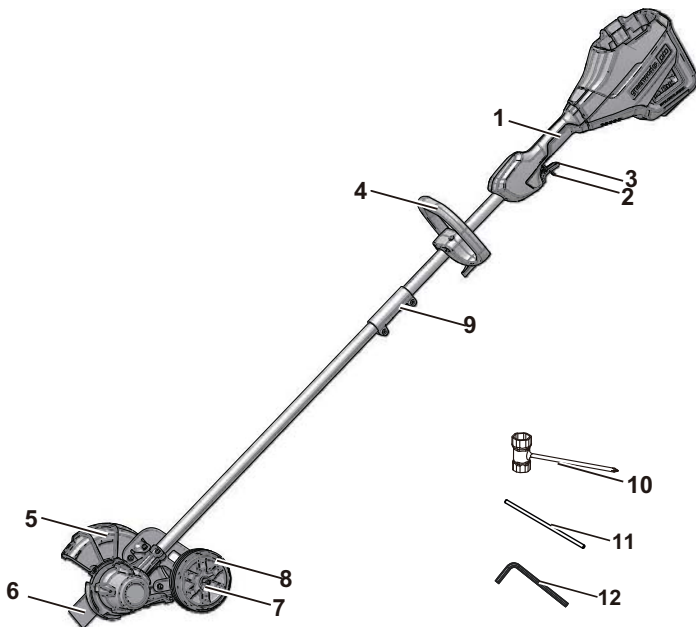
Debe leer y entender todas las instrucciones antes de utilizar este producto. El incumplimiento de las instrucciones indicadas a continuación puede provocar descargas eléctricas, incendios o lesiones personales graves.

1 DESCRIPCIÓN

1.1 FINALIDAD

Esta bordeadora se utiliza para recortar y cortar alrededor del borde de calzadas, aceras y más. La bordeadora no se ha diseñado para cortar setos, arbustos, matorrales o flores.

1.2 PERSPECTIVA GENERAL



- 1 Asa posterior
- 2 Palanca de desbloqueo
- 3 Gatillo
- 4 Asa auxiliar
- 5 Protección
- 6 Cuchilla
- 7 Mando de ajuste de profundidad
- 8 Rueda
- 9 Acoplamiento
- 10 Llave
- 11 Varilla metálica
- 12 Llave allen

1.3 LISTA DE EMBALAJE

- | | |
|--------------------|-----------------------|
| 1 Bordeadora | 4 Llave |
| 2 Asa auxiliar | 5 Llave allen |
| 3 Varilla metálica | 6 Manual del operador |

2 INSTRUCCIONES IMPORTANTES DE SEGURIDAD

LEA TODAS LAS INSTRUCCIONES ANTES DEL USO (DE ESTA HERRAMIENTA ELÉCTRICA)

- Utilice únicamente accesorios y piezas de repuesto idénticos del fabricante. El uso de cualquier otra pieza puede generar un riesgo o producir daños en el producto.
- Lleve siempre gafas de seguridad con protectores laterales marcadas para cumplir la ANSI Z87.1. Las gafas normales solo tienen lentes resistentes a impactos. NO son gafas de seguridad. Si sigue esta regla reducirá el riesgo de lesiones oculares. Utilice máscara facial si trabaja en espacios de trabajo con polvo.
- Evite los entornos peligrosos – No exponga las herramientas eléctricas a condiciones de humedad. Si penetra agua en una herramienta eléctrica, aumentará el riesgo de descarga eléctrica.
- No utilice bajo la lluvia.
- Mantenga a todos los transeúntes, niños y mascotas al menos a 15 m.
- Lleve indumentaria adecuada – No lleve ropa ni joyas sueltas. Pueden quedar atrapadas en las piezas móviles. Se recomienda el uso de guantes de goma y calzado resistente cuando se trabaje en el exterior. Lleve una protección capilar para sujetar el cabello largo.
- Utilice el aparato adecuado. No utilice el aparato para trabajos distintos del previsto.
- Evite la puesta en marcha accidental – No transporte un aparato enchufado con el dedo sobre el interruptor. Asegúrese de que el interruptor esté desactivado al conectar la batería.
- No fuerce el aparato – Hará el trabajo mejor y con menos probabilidades de sufrir lesiones a la velocidad para la que se diseñó.
- No se estire – Mantenga en todo momento una postura adecuada y el equilibrio.
- Manténgase alerta – Observe lo que está haciendo. Utilice el sentido común. No utilice esta unidad cuando esté cansado, enfermo o bajo la influencia de alcohol, drogas o medicamentos.
- Almacene siempre las herramientas eléctricas inactivas en interior – Cuando no estén en uso, las herramientas eléctricas deben almacenarse en interior, en un lugar seco, fuera del alcance de los niños.
- Mantenga el aparato con cuidado – Sustituya el cabezal de hilo si está agrietado, astillado o dañado de alguna manera. Asegúrese de que el cabezal de hilo esté correctamente instalado y bien fijado. Mantenga el filo afilado y limpio para un mejor rendimiento y para reducir el riesgo de lesiones. Siga las instrucciones para la lubricación y el cambio de accesorios. Inspeccione periódicamente el cable del aparato, y si está dañado, haga que lo repare un centro de servicio técnico autorizado. Inspeccione periódicamente los cables alargadores y sustitúyalos si están dañados. Mantenga las

asas secas, limpias y sin restos de aceite y grasa. De no hacerlo podrían producirse lesiones graves.

- Compruebe las piezas dañadas antes de utilizar el aparato, una protección u otra pieza dañada debe comprobarse detenidamente para determinar si funcionará correctamente y cumplirá su función prevista. Compruebe la alineación de las piezas móviles, la unión de las partes móviles, la rotura de piezas, los montajes dañados y cualquier otra condición que pueda afectar a su funcionamiento. Una protección u otra pieza que esté dañada debe ser reparada o sustituida debidamente por un centro de servicio autorizado, a menos que se indique lo contrario en este manual.
- No cargue el aparato bajo la lluvia o en lugares húmedos.
- Retire o desconecte la batería antes de reparar, limpiar o retirar material del aparato de jardinería.
- Utilice los aparatos únicamente con las baterías designadas específicamente. El uso de cualquier otra batería puede dar lugar a un riesgo de lesiones e incendio.
- Recargue solo con el cargador especificado por el fabricante. Un cargador adecuado para un tipo de batería puede dar lugar a un riesgo de incendio cuando se usa con otra batería.
- Utilice únicamente con la batería Greenworks BAB727 u otra serie BAB.
- Utilice únicamente con el cargador Greenworks 2901402 u otra serie CAB.
- Cuando la batería no esté en uso, manténgala alejada de otros objetos metálicos como clips, monedas, llaves, clavos, tornillos u otros objetos metálicos pequeños que puedan hacer una conexión entre los terminales. El cortocircuito de los terminales de la batería puede provocar un incendio.
- Bajo condiciones abusivas, es posible que salga líquido despedido de la batería; evite el contacto. Si se produce un contacto accidental, aclare con agua. Si el líquido entra en contacto con los ojos, acuda también al médico. El líquido despedido de la batería puede provocar irritación o quemaduras.
- No utilice una batería o un aparato que haya sufrido daños o modificaciones. Las baterías dañadas o modificadas pueden exhibir un comportamiento impredecible que puede dar lugar a un incendio, una explosión o un riesgo de lesiones.
- No exponga una batería o un aparato al fuego ni a temperaturas excesivas. La exposición al fuego o a una temperatura superior a 265 °F (130 °C) puede provocar una explosión.
- No deseche las baterías en el fuego. Las celdas pueden explotar. Compruebe los códigos locales para conocer las posibles instrucciones especiales de eliminación.
- No abra ni desguace las baterías. El electrolito liberado es corrosivo y puede producir daños a los ojos o la piel. Puede ser tóxico en caso de ingestión.
- Tenga cuidado al manipular las baterías para no cortocircuitarlas con materiales conductores como anillos, pulseras y llaves. La batería o el conductor puede sobrecalentarse y producir quemaduras.

- Siga todas las instrucciones de carga y no cargue la batería o el aparato fuera del intervalo de temperatura especificado en las instrucciones. La carga incorrecta o a temperaturas fuera del intervalo especificado puede dañar la batería y aumentar el riesgo de incendio.
- Desconecte la batería del aparato antes de realizar ajustes, cambiar accesorios o almacenarlo. Estas medidas de seguridad preventivas reducen el riesgo de que el aparato se ponga en marcha accidentalmente.
- Solicite a un técnico de reparación cualificado que realice las tareas de servicio utilizando únicamente piezas de repuesto idénticas. Esto garantizará el mantenimiento de la seguridad del producto.
- Mantenga las protecciones en su posición y en estado de funcionamiento.
- Mantenga las manos y los pies alejados de la zona de corte.
- Mantenga las cuchillas afiladas.

El intervalo de temperatura ambiente recomendado:









Elemento	Temperatura
Intervalo de temperatura de almacenamiento de la bordadora	32°F (0°C) - 113°F (45°C)
Intervalo de temperatura de funcionamiento de la bordadora	32°F (0°C) - 113°F (45°C)
Intervalo de temperatura de carga de la batería	39°F (4°C) - 104°F (40°C)
Intervalo de temperatura de funcionamiento del cargador	39°F (4°C) - 104°F (40°C)
Intervalo de temperatura de almacenamiento de la batería	32°F (0°C) - 113°F (45°C)
Intervalo de temperatura de descarga de la batería	32°F (0°C) - 113°F (45°C)

CONSERVE ESTAS INSTRUCCIONES

3 SÍMBOLOS EN LA MÁQUINA


En esta máquina pueden utilizarse algunos de los siguientes símbolos. Le rogamos que los estudie y aprenda sus definiciones. La interpretación correcta de estos símbolos le permitirá manejar la herramienta mejor y de manera más segura.

Símbolo	Explicación
V	Tensión
A	Corriente
Hz	Frecuencia (ciclos por segundo)
W	Potencia
min	Tiempo

Símbolo	Explicación
/min	Revoluciones, carreras, velocidad de superficie, órbitas, etc., por minuto
	Corriente continua
	Precauciones que afectan a su seguridad.
	Debe leer y entender todas las instrucciones antes de manejar la máquina, así como seguir todas las advertencias e instrucciones de seguridad.
	Lleve siempre gafas de seguridad con protectores laterales marcada para cumplir la ANSI Z87.1 cuando utilice esta máquina.
	No exponga la máquina a la lluvia o a condiciones de humedad.
	Mantenga a los transeúntes al menos a 15 m.
	Los objetos proyectados pueden rebotar y provocar lesiones personales o daños materiales.
	Peligro - Mantenga las manos y los pies alejados de la cuchilla.

4 NIVELES DE RIESGO

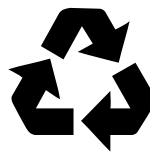
Las siguientes indicaciones y significados tienen como fin explicar los niveles de riesgo asociados a este producto.

SÍMBOLO	INDICACIÓN	SIGNIFICADO
	PELIGRO	Indica una situación de peligro inminente que, de no evitarse, provocará lesiones graves o incluso la muerte.
	ADVERTENCIA	Indica una situación de peligro potencial que, de no evitarse, podría provocar lesiones graves o incluso la muerte.
	PRECAUCIÓN	Indica una situación de peligro potencial que, de no evitarse, puede provocar lesiones leves o moderadas.
	PRECAUCIÓN	(Sin símbolo de alerta sobre seguridad) Indica una situación que puede provocar daños materiales.

5 SERVICIO

Las tareas de servicio exigen un cuidado extremo así como conocimientos y deben ser realizadas únicamente por un técnico de servicio cualificado. Para cuestiones de servicio, le recomendamos que devuelva la máquina al CENTRO DE SERVICIO AUTORIZADO más cercano para su reparación. Utilice únicamente accesorios y piezas de repuesto idénticos del fabricante.

6 ELIMINACIÓN DE BATERÍA SEGURA PARA EL MEDIO AMBIENTE



Los materiales tóxicos y corrosivos que figuran a continuación se encuentran en las baterías utilizadas en esta máquina: **Ion de litio, un material tóxico.**

▲ AVISO

Deseche todos los materiales tóxicos de una manera especificada para evitar la contaminación del medio ambiente. Antes de desechar una batería de ion de litio dañada o agotada, contacte con la agencia local de eliminación de residuos o con la agencia de protección ambiental local para obtener información e instrucciones específicas. Lleve las baterías a un centro de reciclaje o eliminación local, certificado para la eliminación de ion de litio.

▲ AVISO

Si la batería se agrieta o se rompe, con o sin fugas, no la recargue ni la utilice. Deséchela y sustitúyala por una batería nueva. ¡NO INTENTE REPARARLA! Para evitar lesiones y riesgos de incendio, explosión o descarga eléctrica, y para evitar daños al medio ambiente:

- Cubra los terminales de la batería con cinta adhesiva resistente.
- NO intente retirar o destruir ninguno de los componentes de la batería.
- NO intente abrir la batería.
- Si se produce una fuga, los electrolitos liberados son corrosivos y tóxicos. NO deje que la solución entre en contacto con los ojos o la piel, y no la ingiera.
- NO deseche estas baterías con la basura doméstica normal.
- NO incinere.
- NO lleve las baterías a lugares donde formarán parte de vertederos de residuos o flujos de residuos sólidos urbanos.
- Llévelas a un centro de reciclaje o eliminación certificado.

▲ AVISO

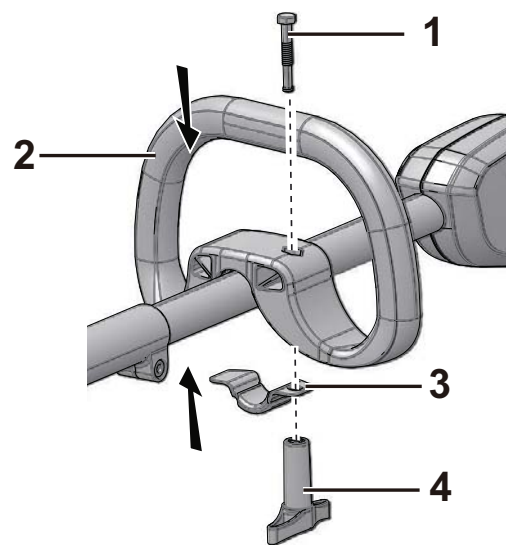
- Si las piezas de la máquina presentan daños, no utilice la máquina.
- Si no tiene todas las piezas, no utilice la máquina.
- Si faltan piezas o hay piezas dañadas, contacte con el centro de servicio.

ES

1. Abra el embalaje.
2. Lea la documentación que se proporciona en la caja.
3. Retire todas las piezas sin montar de la caja.
4. Retire la máquina de la caja.
5. Deseche la caja y el material de embalaje de conformidad con los reglamentos locales.

8.2 FIJACIÓN DEL ASA AUXILIAR

1. Retire el mando del asa.
2. Fije el asa auxiliar (2) y la abrazadera inferior (3) en el eje.
3. Sitúe el asa auxiliar en una posición cómoda.
4. Introduzca el perno (1) por el orificio.
5. Apriete el asa auxiliar con el mando (4).



8.3 MONTAJE DEL EJE

1. Afloje el tornillo del acoplamiento (2).
2. Pulse el botón de desbloqueo del eje inferior (1).
3. Alinee el botón de desbloqueo con el orificio de posicionamiento y deslice los dos ejes juntos.

7 PROPUESTA 65

▲ AVISO

Este producto contiene una sustancia química conocida en el estado de California como causante de cáncer, defectos de nacimiento u otros daños reproductivos. El polvo generado por el lijado eléctrico, el serrado, el esmerilado, la perforación y otras actividades de construcción contiene sustancias químicas que se sabe que son causantes de cáncer, defectos de nacimiento u otros daños reproductivos. Algunos ejemplos de estas sustancias químicas son:

- Plomo de pinturas con base de plomo;
- Sílice cristalina de ladrillos y cemento y otros productos de albañilería;
- Arsénico y cromo de la madera tratada químicamente.

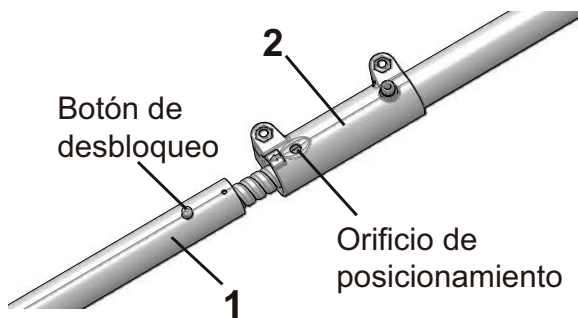
El riesgo de exposición a estas sustancias químicas varía según la frecuencia con la que realice este tipo de trabajo. Para reducir su exposición a estas sustancias químicas, trabaje en una zona bien ventilada y trabaje con equipos de seguridad aprobados, como máscaras antipolvo, que estén especialmente diseñadas para filtrar partículas microscópicas.

8 INSTALACIÓN

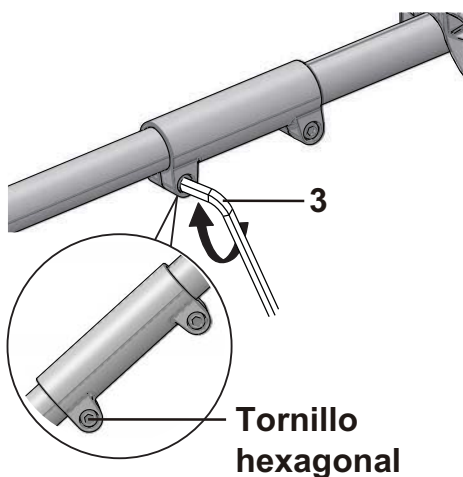
8.1 DESEMBALAJE DE LA MÁQUINA

▲ AVISO

Asegúrese de montar correctamente la máquina antes del uso.



4. Gire el eje inferior hasta que el botón se bloquee en el orificio de posicionamiento.
5. Apriete el tornillo con la llave hexagonal (3).

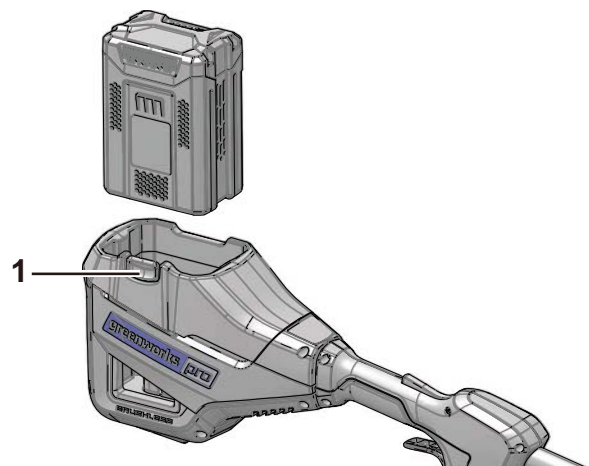


8.4 INSTALACIÓN DE LA BATERÍA

▲ AVISO

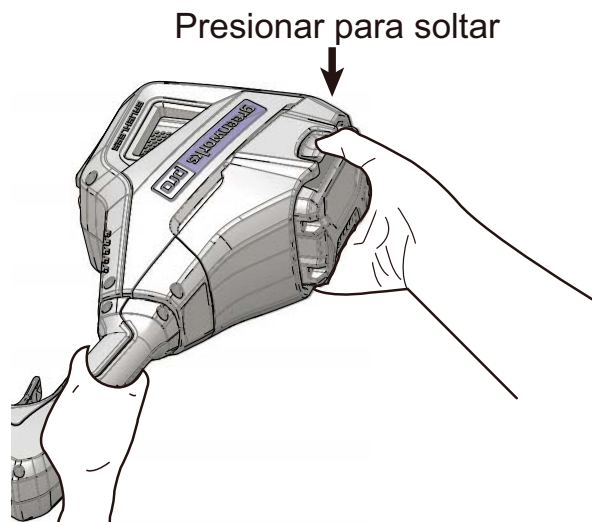
- Si la batería o el cargador ha sufrido daños, sustituya la batería o el cargador.
- Detenga la máquina y espere hasta que el motor se pare antes de instalar o retirar la batería.
- Debe leer y entender las instrucciones del manual de la batería y el cargador.

1. Alinee las nervaduras de elevación de la batería con las ranuras del compartimento de la batería.
2. Introduzca la batería en el compartimento de la batería hasta que encaje en su posición.
3. Cuando escuche un clic, la batería está instalada.



8.5 RETIRADA DE LA BATERÍA

1. Pulse y mantenga pulsado el botón de desbloqueo de la batería (1).
2. Retire la batería de la máquina.



9 FUNCIONAMIENTO

i IMPORTANTE

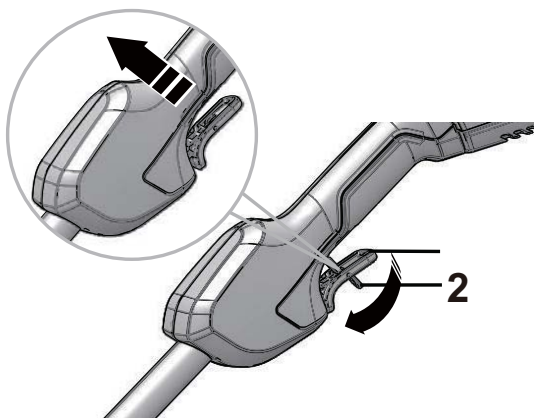
Antes de utilizar la máquina, debe leer y entender las normas de seguridad y las instrucciones de funcionamiento.

▲ AVISO

Tenga cuidado cuando utilice la máquina.

9.1 PUESTA EN MARCHA DE LA MÁQUINA

1. Empuje hacia delante la palanca de desbloqueo (2) y apriete el gatillo (1).

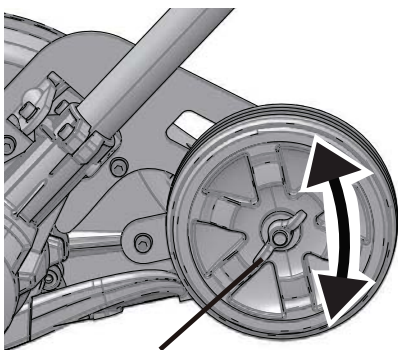


9.2 DETENCIÓN DE LA MÁQUINA

1. Suelte el gatillo para detener la máquina.

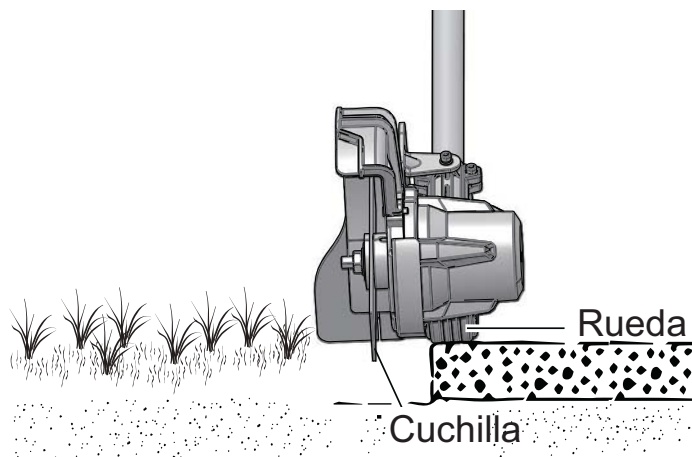
9.3 AJUSTE DE LA PROFUNDIDAD DE CORTE

1. Retire la batería.
2. Afloje el mando de ajuste de profundidad para aumentar o disminuir la profundidad.



Mando de ajuste de profundidad

3. Ajuste la profundidad de modo que la cuchilla apenas toque el suelo cuando la máquina se mantiene en una posición de funcionamiento normal.
4. Apriete el mando de ajuste de profundidad.
5. De pie en una posición de trabajo normal, compruebe nuevamente la profundidad de corte y corríjala en caso necesario.
6. Vuelva a colocar la batería una vez que todos los ajustes hayan finalizado.

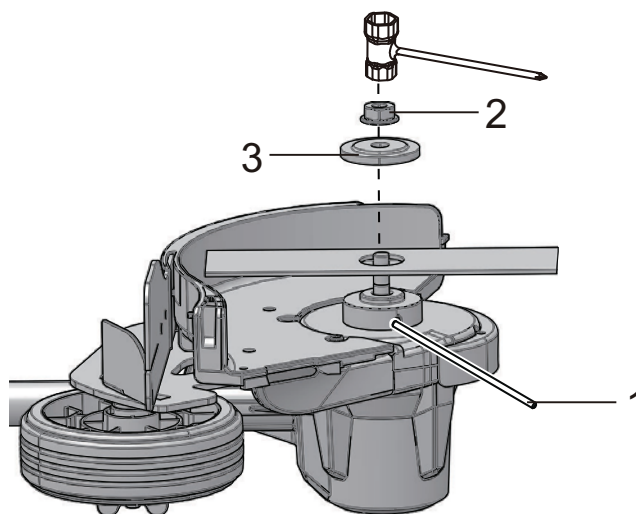


9.4 SUSTITUCIÓN DE LA CUCHILLA

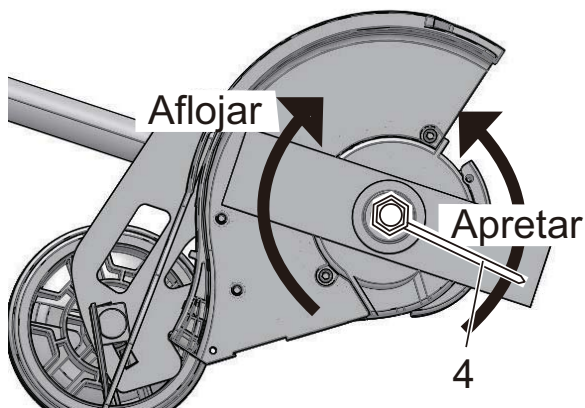
¡ NOTA

Si la cuchilla está desgastada, sustitúyala por una nueva (no incluida).

1. Utilice una varilla metálica (1) para fijar la cuchilla.
2. Retire la tuerca (2) girándola en sentido horario con la llave (4) suministrada.
3. Retire la arandela (3).



4. Retire la cuchilla usada y sustitúyala por una nueva.
5. Coloque la arandela sobre la cuchilla.
6. Coloque la tuerca en la arandela y apriétela en sentido antihorario con la llave suministrada.



9.5 CONSEJOS DE FUNCIONAMIENTO

▲ AVISO

Mantenga siempre la bordeadora alejada del cuerpo manteniendo un espacio entre su cuerpo y la bordeadora. Cualquier contacto con el cabezal de corte de la bordeadora durante el funcionamiento puede provocar lesiones personales graves.

- Sujete la bordeadora con la mano derecha en el asa posterior y la mano izquierda en el asa delantera.
- Mantenga un agarre firme con ambas manos durante el funcionamiento.
- La bordeadora debe mantenerse en una posición cómoda con el asa posterior a la altura de la cadera.
- La bordeadora cortará los bordes a lo largo de aceras, calzadas, macizos de flores, bordillos y zonas similares.
- Corte a un ritmo uniforme. Si la cuchilla empieza a atascarse, está bordeando demasiado rápido; ralentice su ritmo. No fuerce la cuchilla en el suelo.
- El contacto ligero de la cuchilla contra el borde de la acera, el bordillo, etc., es aceptable y no dañará la bordeadora.
- La mejor apariencia se obtiene cuando la hierba está seca. Evite bordear en el suelo húmedo o en zonas húmedas de césped, ya que la protección de la cuchilla podría obstruirse y producir un borde desigual. Si el protector de la cuchilla se obstruye, detenga la bordeadora, retire la batería y retire los residuos del protector de la cuchilla.



10 MANTENIMIENTO

i IMPORTANTE

Debe leer y entender los reglamentos de seguridad y las instrucciones de mantenimiento antes de limpiar, reparar o realizar tareas de mantenimiento en la máquina.

i IMPORTANTE

Asegúrese de que todas las tuercas, los pernos y los tornillos estén apretados. Examine periódicamente que las asas estén bien instaladas.

i IMPORTANTE

Utilice únicamente las piezas de repuesto y los accesorios del fabricante original.

10.1 INFORMACIÓN GENERAL

i IMPORTANTE

Únicamente un distribuidor o un centro de servicio autorizado puede realizar el mantenimiento que no se indica en este manual.

Antes de las operaciones de mantenimiento:

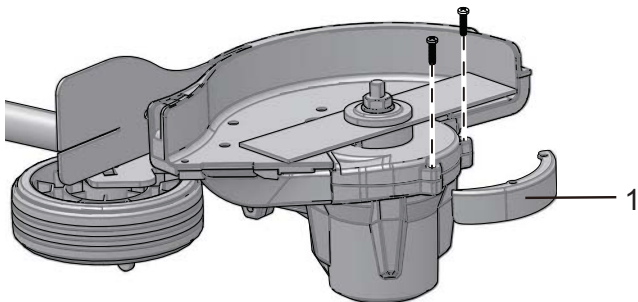
- Detenga la máquina.
- Retire la batería.
- Deje que se enfríe el motor.
- Almacene la máquina en un lugar fresco y seco.
- Utilice ropa adecuada, guantes protectores y gafas de seguridad.

10.2 LIMPIEZA DE LA MÁQUINA

- Limpie la máquina después de utilizarla con un paño húmedo humedecido en detergente neutro.
- No utilice detergentes o disolventes agresivos para limpiar las piezas de plástico o las asas.
- Mantenga el cabezal de corte libre de hierba, hojas o grasa excesiva.
- Mantenga los respiraderos limpios y libres de residuos para evitar el sobrecalentamiento y daños al motor o la batería.
- No pulverice agua sobre el motor ni los componentes eléctricos.

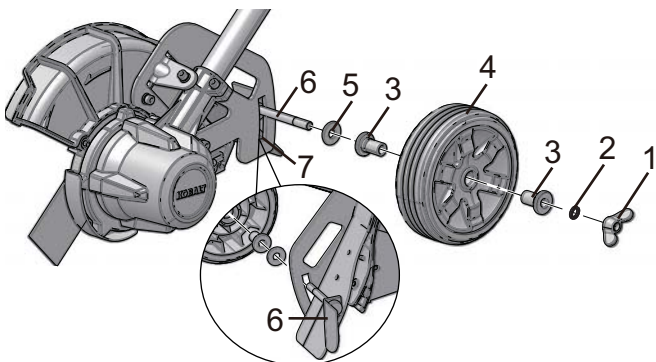
10.3 SUSTITUCIÓN DE LA PLACA DE PROTECCIÓN DE BAJOS

1. Retire los tornillos con un destornillador Phillips (no incluido).
2. Sustituya por una nueva placa de protección de bajos (1).
3. Apriete los tornillos.



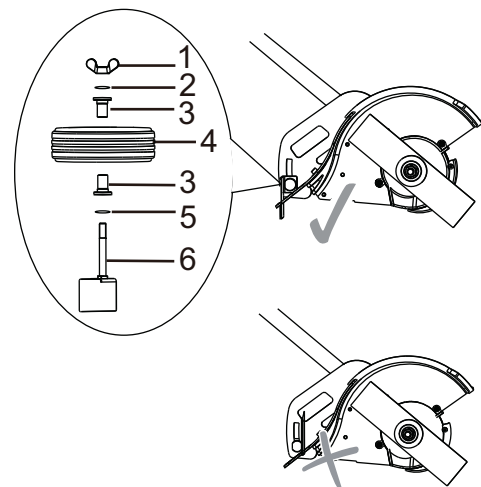
10.4 SUSTITUCIÓN DE LA RUEDA

1. Retire la batería.
2. Retire la tuerca de mariposa (1), la arandela (2), el manguito del eje (3), la rueda (4), el manguito del eje (3), la arandela de goma (5) y el eje de la rueda (6) en orden del conjunto de la rueda.



3. Sustituya por una rueda nueva.

4. Inserte el eje de la rueda (6) a través de la ranura (7) hacia abajo, a continuación, coloque la arandela de goma (5), el manguito del eje (3), la rueda (4), el manguito del eje (3), la arandela (2) y la tuerca de mariposa (1) en orden a través del eje de la rueda (6).



5. Apriete con la tuerca de mariposa (1).

11 TRANSPORTE Y ALMACENAMIENTO

▲ AVISO

Retire la batería de la máquina antes del transporte y el almacenamiento.

11.1 TRASLADO DE LA MÁQUINA

Cuando mueva la máquina debe:

- Detener la máquina.
- Retirar la batería.

11.2 ALMACENAMIENTO DE LA MÁQUINA

- Retire la batería de la máquina.
- Asegúrese de que los niños no puedan acercarse a la máquina.
- Mantenga la máquina alejada de agentes corrosivos, como sustancias químicas para jardín y sales para descongelación.
- Fije la máquina durante el transporte para evitar daños o lesiones. Limpie y examine si hay daños en la máquina.

12 SOLUCIÓN DE PROBLEMAS

Problema	Posible causa	Solución
La máquina no se pone en marcha cuando aprieta el gatillo.	No hay contacto eléctrico entre la máquina y la batería.	1. Retire la batería. 2. Compruebe el contacto e instale de nuevo la batería.
	La batería se ha agotado.	Cargue la batería.
	El botón de desbloqueo y el gatillo no se presionan al mismo tiempo.	1. Apriete el botón de desbloqueo y sujételo. 2. Apriete el gatillo para poner en marcha la máquina.
La bordeadora se detiene durante el uso.	La profundidad es demasiado baja.	Ajuste la profundidad como se muestra en el manual de instrucciones.
	Camina demasiado rápido.	No fuerce la bordeadora por la hierba.

se hayan utilizado para uso personal que no han sido arrendadas o alquiladas para uso industrial/comercial y cuyo mantenimiento se ha realizado de acuerdo con las instrucciones del manual del propietario suministrado con el producto nuevo.

ARTÍCULOS NO CUBIERTOS POR LA GARANTÍA:

1. Cualquier pieza que no funcione debido a mal uso, uso comercial, abuso, negligencia, accidente, mantenimiento inadecuado o alteración; o
2. La unidad, si no ha sido utilizada o mantenida de acuerdo con el manual del propietario; o
3. Desgaste normal, excepto en lo indicado a continuación;
4. Artículos de mantenimiento de rutina tales como lubricantes, afilado de cuchillas;
5. Deterioro normal del acabado exterior debido al uso o la exposición.

LÍNEA DE ASISTENCIA TELEFÓNICA:

Puede contactar con el servicio de garantía llamando a nuestra línea de asistencia telefónica gratuita, a 1-855-345-3934.

13 DATOS TÉCNICOS

Tipo	Inalámbrico, con funcionamiento a batería
Motor	80V
Velocidad sin carga	7000 RPM
Longitud de cuchilla	8 in. (203 mm)
Peso (sin batería)	10.47 lbs (4.75 kg)
Modelo de batería	BAB727 y otras series BAB
Modelo de cargador	2901402 y otras series CAB

COSTES DE TRANSPORTE:

Los costes de transporte por el desplazamiento de cualquier unidad o accesorio de equipos eléctricos son responsabilidad del comprador. Es responsabilidad del comprador pagar los costes de transporte de cualquier pieza enviada para su sustitución bajo esta garantía, a menos que dicha devolución sea solicitada por escrito por Greenworks.

Dirección en EE.UU.:

Greenworks Tools
P.O. Box 1238

Mooresville, NC 28115

Dirección en Canadá:

Greenworks Tools Canada Inc.
P.O. Box 93095, Newmarket,
Ontario

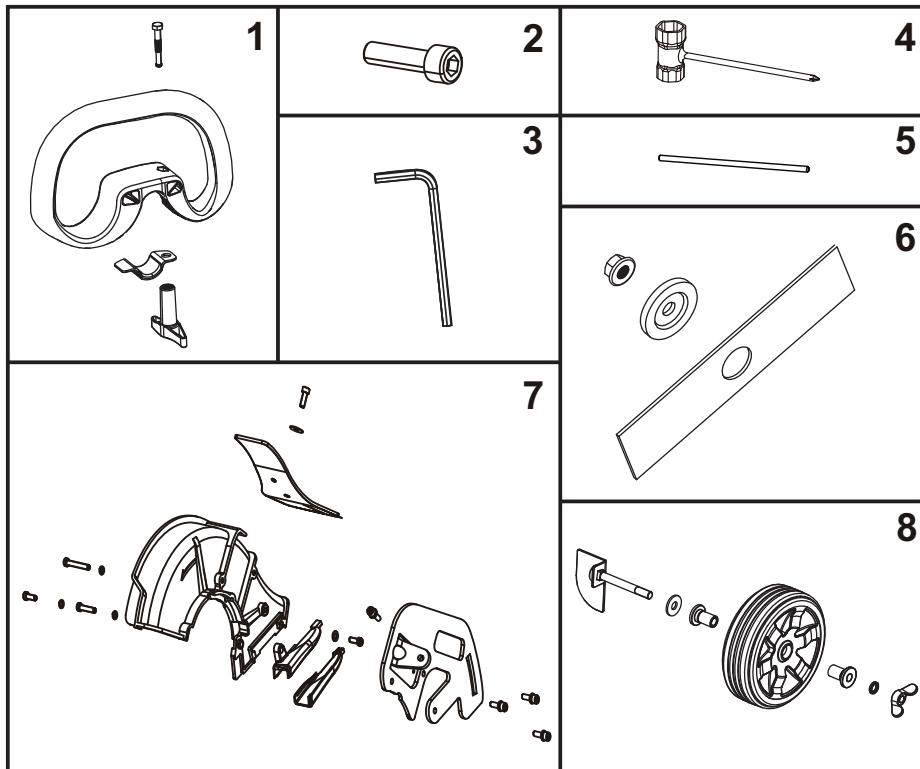
L3Y 8K3

14 GARANTÍA LIMITADA



Por la presente Greenworks garantiza este producto, al comprador original con el comprobante de compra, durante un periodo de cuatro (4) años frente a defectos en materiales, piezas o mano de obra. A su entera discreción Greenworks reparará o sustituirá cualquiera y todas las piezas que resulten ser defectuosas, con un uso normal, sin coste alguno para el cliente. Esta garantía es válida únicamente para unidades que

15 PIEZAS DE REPUESTO



Nº	Nº pieza	Ca nt.	Descripción	Nº	Nº pieza	Ca nt.	Descripción
1	R0201836-00	1	Conjunto de asa auxiliar	5	R0201933-00	1	Varilla metálica
2	R0201830-00	1	Tornillo hexagonal	6	R0201066-00	1	Conjunto de cuchilla
3	R0201770-00	1	Llave Allen	7	R0202132-00	1	Conjunto de protección
4	R0201932-00	1	Llave	8	R0201067-00	1	Conjunto de rueda

